

TOSHIBA

Satellite® A45 Series

Feature Model(s):

Satellite A45-S120

Cel2600/15.0" XGA/256MB/40GB/DVD-CDRW/Mdm/LAN/WinXP Home

Satellite A45-S1201

Cel2600/15.0" XGA/256MB/40GB/DVD-CDRW/Mdm/LAN/WinXP Pro

Product Highlights

Performance

- Intel® Celeron® Processor at 2.60GHz
- 256MB of Main Memory (Expandable to 2048MB)

Great Features

- 40GB* hard disk drives
- DVD-ROM/CDRW multi-function drive
- 15.0" TFT active-matrix screen display

Get On-Line

- Integrated V.92/56K modem
- Integrated 10/100 Ethernet LAN

System Characteristics

CPU (See CPU Performance Disclaimer)**

- Intel® Celeron® processor at 2.60GHz**

L2 Cache

- 128KB Level 2 cache memory integrated on die
- 400MHz Processor System Bus Clock Speed

Memory

- 256MB (1 DIMM) expandable to 2048MB (Both slots may be occupied)
- Expansion memory: 128MB/256MB/512/1028MB, SODIMM, PC2100 DDR266
- **Data/Address Bus Width:** 64bit/32bit
- Intel® 852GME Chipset

Mass Storage/Optical Drive

- **Primary Hard Disk Drive:** 40GB* hard disk drive, Enhanced IDE (ATA-5) interface, 4200rpm drive rotation; 9.5mm height, 0.2lbs, Service Removable
- **DVD-ROM/CDRW Multi-function Drive:** Enhanced IDE (ATAPI) Interface; Maximum speed: CD-R(24x), CD-RW(10x), CD-ROM(24x), DVD-ROM(8x); Compatibility: CD-ROM, CD-R (read/write), CD-RW (read/re-write), DVD-ROM, DVD-R (read only), DVD-RW (read only), DVD-RAM (read only); Service removable
- Software Decoder: InterVideo (Win-DVD 4®) - w/SRS Technology

Graphics/Video

- 15.0" TFT active-matrix display****; internal display supports up to 16M colors at 1024 x 768
- Intel® 852GME Integrated graphics controller; 32MB DDR SDRAM (UMA)
- Direct 3D support and DirectVideo
- External Color Support/Refresh rate:
 - 640 x 480: 60/75/85/100Hz Non-Interlaced @16M colors
 - 800 x 600: 60/75/85/100Hz Non-Interlaced @16M colors
 - 1024 x 768: 60/75/85/100Hz Non-Interlaced @16M colors
 - 1280 x 1024: 60/75/85/100Hz Non-Interlaced @16M colors
 - 1600 x 1200: 60/75/85Hz Non-Interlaced @16M colors
 - 1920 x 1440: 60/Hz Non-Interlaced @16M colors

Input Devices

Keyboard: Full sized 85 keys with 12 function keys, 2.7mm key stroke, 6mm height; Dedicated Windows® keys support; HotKey function; TouchPad pointing device

Expandability

- 2 Memory slots – Both slots may be occupied
- 1 PC Card slot support 1 Type II PC Card

Communications

• Integrated V.92/56K modem; Data and fax support
Due to FCC limitations, speeds of 53kbps are the maximum permissible transmission rates during Download. Actual data transmission speeds will vary depending on line conditions.

- Integrated 10/100 Ethernet LAN

Ports

- ECP parallel printer port
- RGB (monitor) port

Part Numbers

PSA40U-06FV3V

PSA40U-06FV36

- 4 Universal Serial Bus ports (USB)
- RJ-45 LAN Port
- RJ-11 modem port

Physical Description

- Dimensions (LxWxH): 13.2" x 11.7" x 1.9"
- Weight: 7.7lbs
- LED Indicators: Power, Power Save Mode, HDD, CD/DVD-ROM, DC-IN, Caps Lock, Arrow, Numeric, Main Battery Charging Status, System Sleep / Suspend status

Sound

- Analog Devices AD1981B Codec Chip; Software Sound
- Built-in stereo speakers; Sound Volume (by dial), Direct 3D Sound (supported by driver), DirectSound (supported by driver) and DirectMusic (supported by driver); MIDI Support; Sound Volume (by Dial); Full Duplex Support
- **Ports:** External Microphone port, headphone port

Power Supply

- **AC Adapter:** 120W external AC Adapter, 100-240V / 50-60Hz frequency (Universal) input voltage, 15V x 8A Output.
Dimensions (LxWxH): 5.7" x 1.7" x 2.1"
Weight: 1.4lbs
- **Battery Pack:** 12-cell, rechargeable, removable Lithium Ion (Li-Ion) battery, 8400mAh
- **Dimensions (LxWxH):** 8.1" x 3.6" x 0.9"
- Battery Saver (in Windows XP): Stand by, HDD Auto Off, Display Auto Off, Throttling, Hibernation
- Battery life (main batt): 2.9H***
- Recharge time (main off/on): Approx 7-20H(on)/ 3.5H(off)
Battery life may vary depending on applications, power management settings and features utilized. Recharge time varies depending on usage. Battery may not charge while computer is consuming full power. After a period of time, the battery will lose its ability to perform at maximum capacity and will need to be replaced. This is normal for all batteries. To purchase a new battery pack or see information on accessories shipping with your computer, visit the Toshiba website at www.accessories.toshiba.com

Security

- Slot for computer lock, HDD (3 screws) and memory (3 screws), User Power-on password, Setup Security (by help of SVPW utility), HDD Password (By help of HDD password setup utility), Keyboard Lock (by HotKey), Screen Blank (by Hotkey), Screen Saver (by software)

Bios

- TSETUP, APM, ACPI, PnP, VESA, DPMS, DDC, SM BIOS, PC BIOS support

Operating System

- **Microsoft® Windows XP Home** pre-installed (**A45-S120**)
- **Microsoft® Windows XP Pro** pre-installed (**A45-S1201**)

Additional Software

- Microsoft® Works
- Microsoft® Office OneNote™ 2003
- Drag'n Drop CD+DVD Software
- ArcSoft ShowBiz® DVD 1.3
- Toshiba Notebook Maximizer
- Intuit® Quicken® New User Edition 2004
- Norton® AntiVirus™ 2003 – w/3-Month Subscription
- AOL® (3 –Month offer)
AOL OFFER DETAILS: Availability may be limited, especially during peak times. TO AVOID BEING CHARGED A MONTHLY MEMBERSHIP FEE, SIMPLY CANCEL BEFORE THE THREE-MONTH PROMOTIONAL PERIOD ENDS. Premium services carry surcharges and communication surcharges may apply, including AK, even during promotional period. Members may incur telephone charges on their phone bill, depending on their location and calling plan, even during promotional period. Available to new AOL members in

TOSHIBA

the United States, age 18 or older; a major credit card or checking account is required.

- Adobe® Acrobat Reader
- AT&T® Worldnet® Service – 1 Month FREE

Telephone access and other charges and other terms and conditions may apply. Offer available to new customers only. Offer expires 4/30/04.

- Toshiba Speech System
- QuickTime™ Player
- RealOne™ Player 8 Basic
- Microsoft Internet Explorer
- Toshiba ConfigFree™ software
- Toshiba Custom Utilities
- **[Toshiba Great Software Offer](#)**: Receive your choice of two software titles. The software selection includes titles from the follow categories; productivity, education/reference, creativity and entertainment

Warranty

- 1 year parts, labor and battery

SelectServ® Warranty Programs

SWP-PEQQ3V	Warranty Extension to 3 Years
SWP-PEGQ3V	3 Year SystemGuard
SWP-PEQX3V	3 Year Depot Express
SWP-PEGX3V	3 Year SystemGuard + Depot Express
SWP-PEQN3V	3 Year Business On-Site Repair; Next Day Business Day Response
SWP-PEGN3V	3 Year SystemGuard + Business On Site Repair, Next Business Day Response

Environmental Specifications

- **Temperature:** Operating: 5° to 30°C (41° to 86°F); Non-operating: -20° to 55°C (-4° to 131°F)
- **Thermal gradient:** Operating: 15°C per hour maximum; Non-operating: 20°C per hour maximum
- **Relative Humidity:** Operating: 20% to 80%; Non-operating: 10% to 90%
- **Altitude (relative to sea level):** Operating: -60 to 3000 meters; Non-operating: -60 to 10,000 meters
- **Shock:** Operating: 10G; Non-operating: 60G
- **Vibration:** Operating: 0.5G; Non-operating: 1.0G

Selected Accessories

Toshiba Accessories

PA3237U-1ACA	Global AC Adapter (120W)
PA3287U-1BRS	Primary Battery Pack (12 Cell)
PA3109U-1FDD	USB Floppy Disk Drive
PA3298U-2MPC	Wireless LAN Mini PCI (Atheros 802.11a/g)

Kingston Memory

KTT3614/128	Kingston 128MB Memory
KTT3614/256	Kingston 256MB Memory
KTT3614/512	Kingston 512MB Memory
KTT3614/1G	Kingston 1GB Memory

Cases

PA1333U-1NCS	Toshiba Executive Nylon
PA1328U-1NCS	Toshiba Executive Leather
PA1323U-1NCS	Toshiba Roller/BackPack

* Go to www.accessories.toshiba.com for additional, available accessories

Product/Part Numbers

Satellite A45-S120 (Win XP Home)	PSA40U-06FV3V
Satellite A45-S1201 (Win XP Pro)	PSA40U-06FV36

*GB = 1 Billion Bytes

** Central Processing Unit ("CPU") Performance Disclaimer:

CPU performance in your computer product may vary from specifications under the following conditions:

- use of certain external peripheral products
- use of battery power instead of AC power
- use of certain multimedia games or videos with special effects
- use of standard telephone lines or low speed network connections
- use of complex modeling software, such as high end computer aided design applications
- use of computer in areas with low air pressure (high altitude >1,000 meters or >3,280 feet above sea level)
- use of computer at temperatures outside the range of 5°C to 35°C (41°F to 95° F) or >25°C (77°F) at high altitude (all temperature references are approximate).

CPU performance may also vary from specifications due to design configuration

Under some conditions, your computer product may automatically shut-down. This is a normal protective feature designed to reduce the risk of lost data or damage to the product when used outside recommended conditions. To avoid risk of lost data, always make back-up copies of data by periodically storing it on an external storage medium. For optimum performance, use your computer product only under recommended conditions. Read additional restrictions under "Environmental Conditions" in your product Resource Guide. Contact Toshiba Technical Service and Support for more information.

**** **TFT Display Disclaimer:** Small bright dots may appear on your TFT display when you turn on your PC. Your display contains an extremely large number of thin-filmtransistors (TFT) and is manufactured using high-precision technology. Any small bright dots that may appear on your display are an intrinsic characteristic of the TFT manufacturing technology

Return Policy

TAIS does not accept the return of component parts, or bundled software, which have been removed from the PC system. Pro-rata refunds on individual PC components or bundled software, including the operating system, will not be granted. If you wish to return a complete PC system, contact the TAIS dealer where you purchased the product, and comply with the dealer's standard return policies and procedures.

Subject to Change

While Toshiba has made very effort at the time of publication to ensure the accuracy of the information provided herein, product specifications, configurations, prices, system/component/options availability are all subject to change without notice. For the most up-to-date product information about your computer, or to stay current with the various computer software or hardware options, visit Toshiba's Web site at pcsupport.toshiba.com

***** Business Winstone® 2002 BatteryMark™ Version 1.0**

These models achieved the battery life times shown using Ziff Davis Media Inc.'s Business Winstone® 2002 BatteryMark™ Version 1.0. These tests were performed without independent verification by the VeriTest testing division of Lionbridge Technologies, Inc. ("VeriTest"). Neither Ziff Davis Media Inc. nor VeriTest makes any representations or warranties as to the results of the tests. Winstone® is a registered trademark and BatteryMark™ is a trademark of Ziff Davis Publishing Holdings Inc. in the U.S. and other countries. Copyright 2002 Ziff Davis Media Inc. All Rights Reserved. All products used in the tests were shipping versions available to the general public. The battery life results were achieved running the Business Winstone® 2002 BatteryMark™ Version 1.0 on the following system parameters. System parameters were set according to Ziff Davis Media Inc.'s recommendations.

Battery Life		2.9H
	Number of Conditioning Phase	-
	Life Test Run	-

A	CPU Name		Celeron
	Processor info	speed	2.80GHz
		number of processors	1
	amount of RAM		-
	Amount of secondary RAM cache		2MB (L2 RAM CACHE)

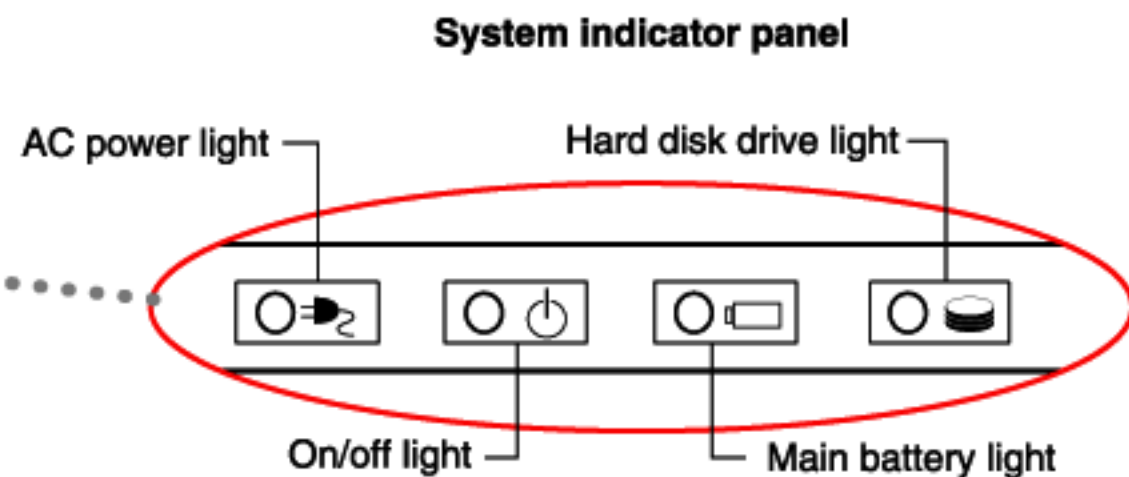
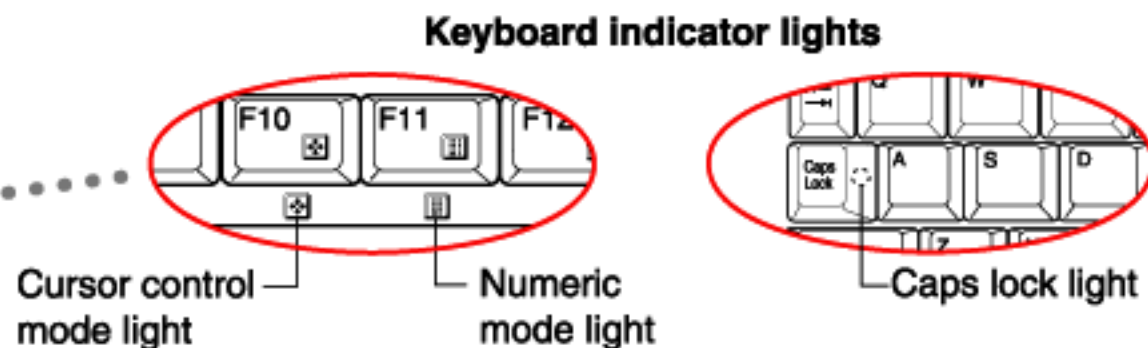
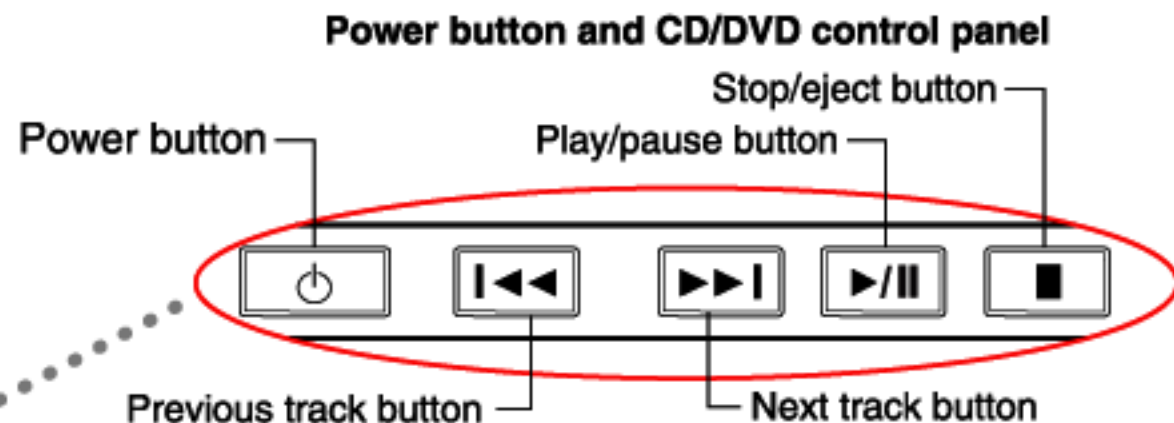
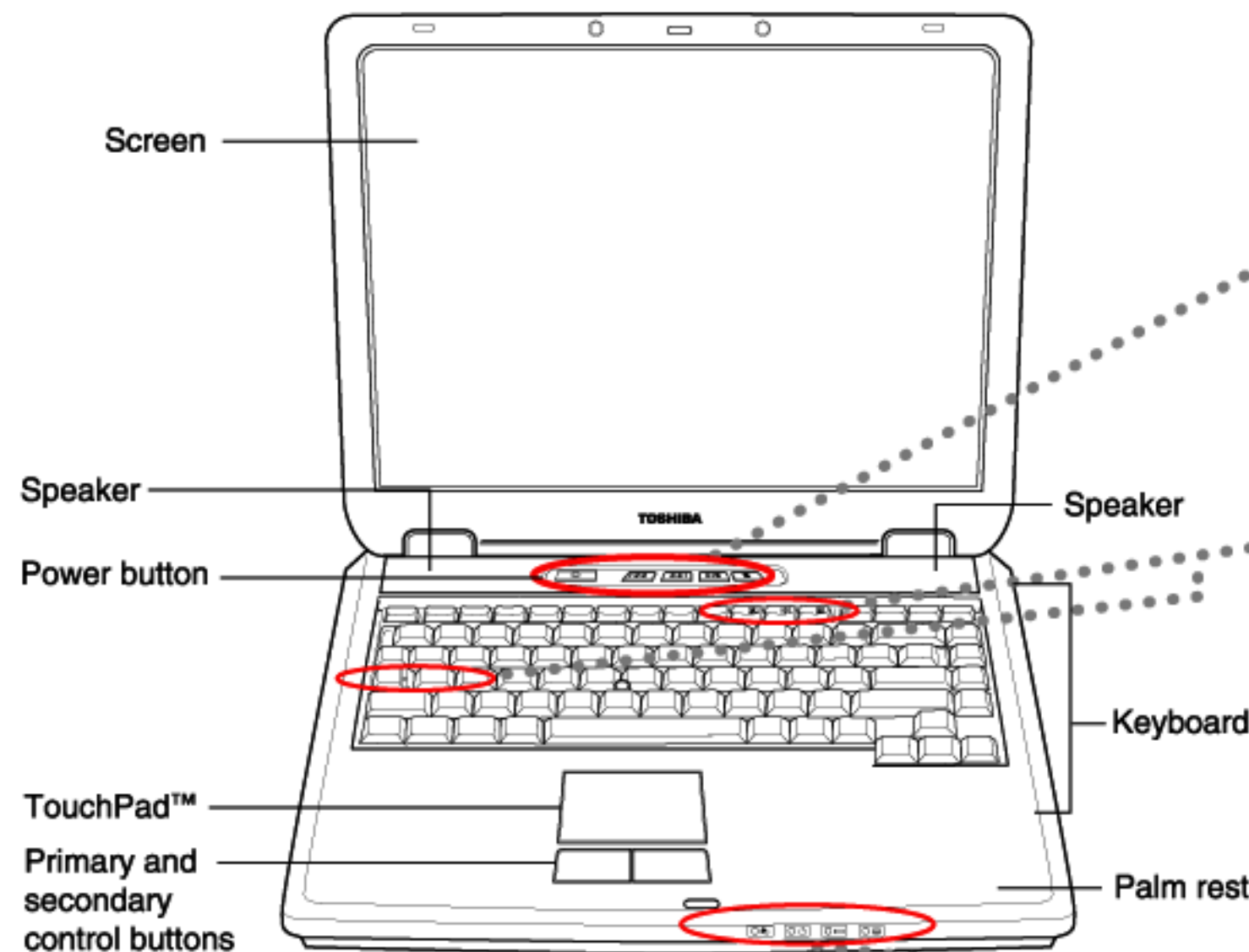
B	Battery	type(1st)	Li-Ion (Graphite)
			10.8V X 8400mAh
		model number	PA3287U-1BAS

C	Graphics		Intel® 852GME
	amount and type of RAM		64MB(max) -UMA
			DDR
	graphics driver name and version		6.13.10.3514
	graphics resolution and color depth, refresh rate		1024 x 768

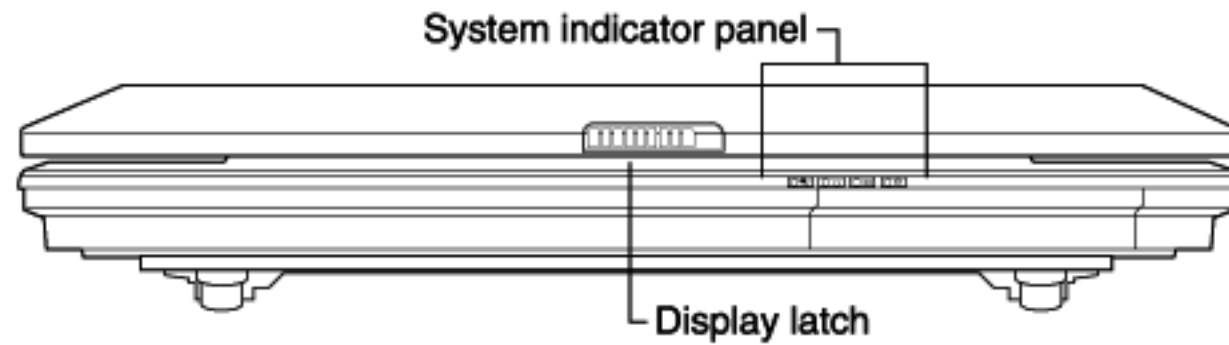
D	hard disk capacity		30GB
	hard disk file system & transfer mode		Enhanced IDE (ATA-5)
	hard disk controller model		Intel® 82801DBM Ultra ATA Storage Controller - 24CA
	size of hardware cache if any		N/A

E	operating system version, service pack		Windows XP Home Edition Service Pack 1
	other special conditions		N/A

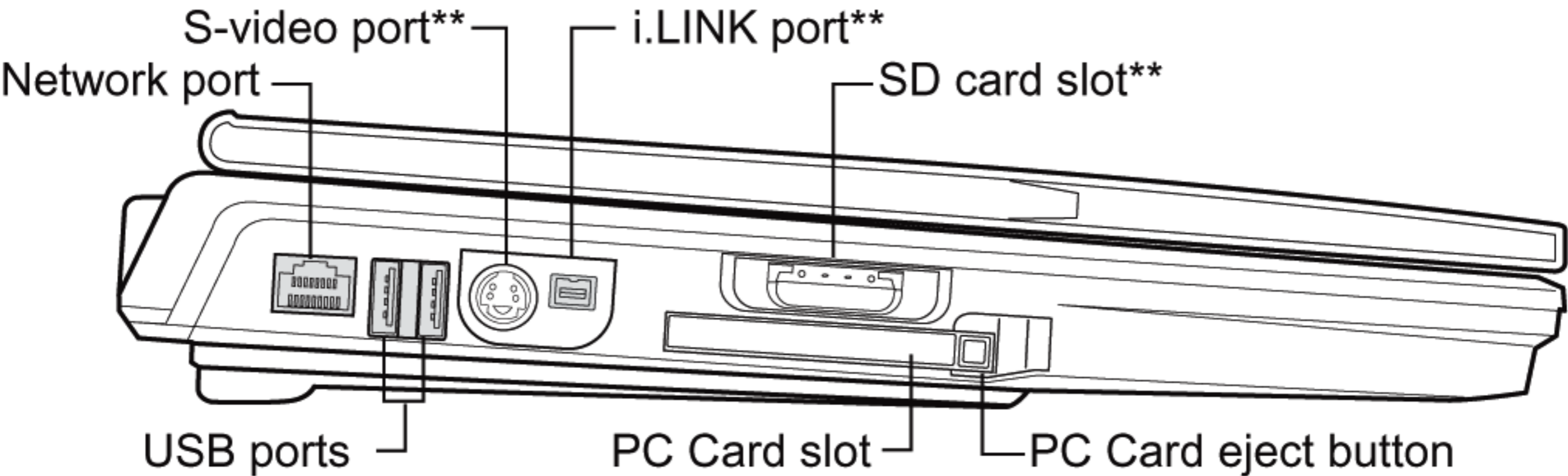
Front with display open



Front with display closed

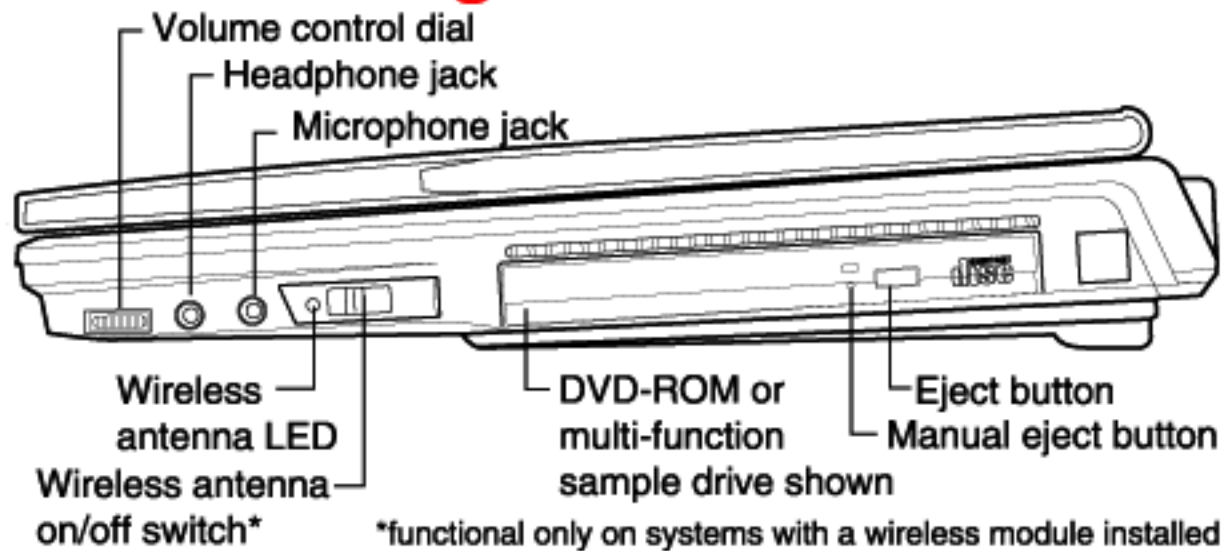


Left side

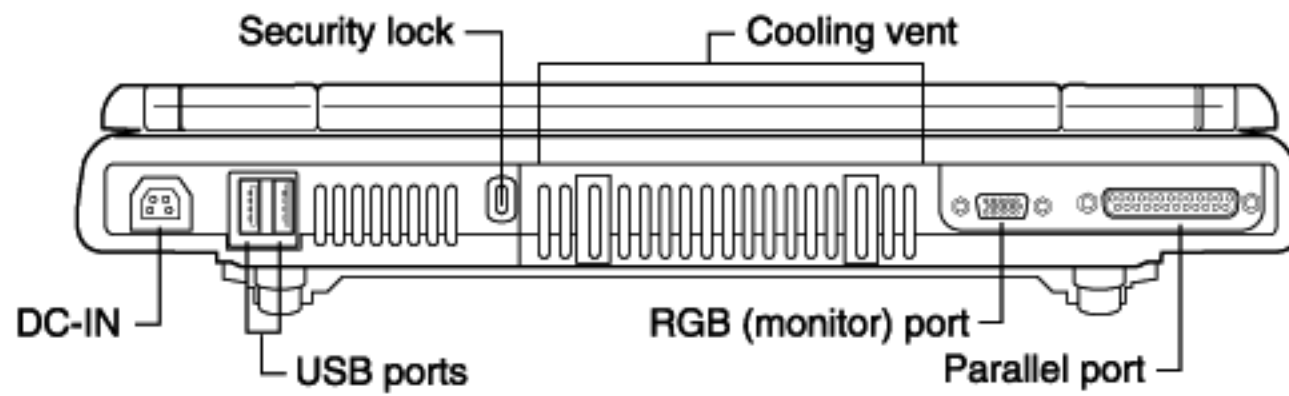


**available on selected models only

Right side



Back



Underside

