

**Satellite M35X**

Model Name	Description	Part Number	UPC Code
M35X-S1492	Intel® Celeron® M Processor 340, 15" XGA, 512MB, 40GB (4200 RPM), DVD/CD-RW, 802.11bg, TV-out, IEEE 1394, Microsoft® Windows® XP Home, 1-year Limited Warranty	PSA72U-01H00U	032017279148

**System Characteristics<sup>1</sup>**

**Operating System**

- Microsoft® Windows® XP Home

**Processor<sup>2</sup> and Chipset**

- Intel® Celeron® M Processor 340
  - 1.50GHz, 512KB L2 cache, 400MHz Front Side Bus
- Intel® 855GME Chipset

**Memory**

- 512MB PC2700 DDR333 SDRAM 2.5V SODIMM Memory modules; expandable to 2048MB (Both slots may be occupied)

**Mass Storage**

**Hard Disk Drive<sup>3</sup>:**

- 40GB (4200 RPM), Enhanced IDE (ATA-5) hard disk drive; 9.5mm height; user removable

**Optical Disk Drive:**

- **Fixed Bay DVD-ROM/CD-RW**, 5.25" EIDE, 12.7mm height. Compatibility: CD-ROM (24x read), CD-R (24x write), CD-RW (24x write).

**Optional Floppy Disk Drive**

- External USB Floppy Drive, 3.5", 1.44MB

**Display<sup>4</sup>**

- 15" diagonal XGA TFT active-matrix LCD; internal display supports up to 16M colors at 1024 x 768 (XGA)
- Maximum Brightness 150 Cd/m<sup>2</sup>
- Brightness Control

**Graphics**

- Intel® 855GME, 16MB-64MB (DVMA) shared video memory

**Input Devices**

- Keyboard: Full sized 85 keys with 12 function keys, 2.7mm key stroke, 6mm height; Dedicated Windows® & Application keys support; HotKey function
- Mouse: Touch Pad

**Expandability**

- 2 Expansion memory slots including Main Memory (Both slots may be occupied)
- 1 PC Card slots support 1 Type II, PCMCIA R2.01, PC Card16, CardBus

**Communications<sup>5</sup>**

- Integrated V.92 modem
- Integrated 10/100Base-TX
- Integrated Wi-Fi compliant wireless LAN Atheros 802.11bg

**Ports**

**Standard**

- RGB (monitor) port
- TV-out (S-Video)
- IEEE 1394
- 3 Universal Serial Bus (USB) ports (v2.0)
- External Microphone jack
- Headphone jack
- RJ-45 LAN port
- RJ-11 modem port

**Physical Description**

- Dimensions (WxDxH Front/H Rear): 14.4" x 10.8" x 1.16"/1.48"
- Weight<sup>6</sup>: Starting at 6.6 lbs depending upon configuration
- LED Indicators: DC-In, Power, Primary Battery, Hard Drive, CD/DVD-ROM, Multiple Digital Media, Wireless indicator, Caps Lock, Arrow Lock, Numeric Lock, Main Battery Charging Status, Sleep Suspend Mode.

**Sound**

- Realtek ALC250 Software Sound
- 16-bit stereo; Built-in stereo speakers, Built-in microphone
- Direct 3D Sound; DirectSound, 3D Sound, Direct Music, MIDI (playback)

- Sound Volume Control Dial

**Power Supply**

- 65W (19V 3.42A) Auto-sensing external AC Adapter, 100-240V / 50-60Hz input.

**Battery<sup>7</sup>**

- 8-cell (4300mAh) rechargeable, removable Lithium Ion (Li-Ion) battery pack
- Battery Life (Normal Mode): Battery Life: Up to 3.5 hours (measured by MobileMark™)\*\*

**Security**

- Slot for cable lock; HDD memory (by screw only); User Power-on password, Supervisor Password, Screen Blank (by Hotkey), Screen Saver (by software).

**BIOS**

- ACPI v1.0b, PNP v1.0a, VESA v2.0, DPMS, DDC, SM BIOS v2.34, PC BIOS v2.2 support

**Software and Utilities**

**Third-party**

- Microsoft® Works
- Microsoft® Office Trial Version Student/Teacher
- Microsoft® Office OneNote™ 2003
- Software Decoder: Intervideo® (WinDVD™ 5)-w/SRS TruSurround XT® Technology
- Sonic® Solutions Drive Letter Access (DLA)
- Sonic® Solutions RecordNow!™ Basic
- ArcSoft ShowBiz® DVD Version 1.3
- Intuit® Quicken® New User Edition 2004
- Norton AntiVirus™ 2004 – w/3-Month Subscription
- AOL® (3 –Month offer)  
AOL OFFER DETAILS: Availability may be limited, especially during peak times. TO AVOID BEING CHARGED A MONTHLY MEMBERSHIP FEE, SIMPLY CANCEL BEFORE THE THREE-MONTH PROMOTIONAL PERIOD ENDS. Premium services carry surcharges and communication surcharges may apply, including AK, even during promotional period. Members may incur telephone charges on their phone bill, depending on their location and calling plan, even during promotional period. Available to new AOL members in the United States, age 18 or older; a major credit card or checking account is required.
- Adobe® Acrobat Reader
- AT&T® Worldnet® Service – 1 Month FREE  
Telephone access and other charges and other terms and conditions may apply. Offer available to new customers only.
- QuickTime™ Player
- RealOne™ Player 8 Basic
- Microsoft® Internet Explorer
- Napster® online digital music service (30-day trial)

**Toshiba Software and Utilities**

- Toshiba Notebook Maximizer
- Toshiba Speech System
- Toshiba ConfigFree™
- Toshiba Custom Utilities
- Toshiba Touch and Launch
- Toshiba MyConnect™ - 45 day free trial offer  
MYCONNECT OFFER DETAILS: 1 Valid in the US only! You must cancel your Access Plan before the end of the trial period to avoid being charged the \$39.95 monthly Access Service fee for the six month plan commitment period. Monthly automatic renewal feature after end of commitment period. Available to new members in the U.S., age 18 or older, and a major credit card for billing is required. Offer is for unlimited dial-up, wired broadband, or Wi-Fi remote access connection time in the 50 United States and the District of Columbia within the MyConnect service area for 30 day continuous service periods. Use of optional 800 telephone number dial-up usage will incur additional fees even during the trial period. Other terms and conditions apply. Offer expires December 31, 2004. Information, prices, and availability subject to change without notice.

**Limited Warranty**

- 1 year parts, labor, and battery

**Extended Warranty**

- Toshiba offers many different warranty extensions and enhanced service plans such as SystemGuard®, At-Home Repair, and Service Express to provide additional support to

## TOSHIBA

your notebook PC. For a full description and complete list of programs, please visit [www.accessories.toshiba.com](http://www.accessories.toshiba.com)

### Models with 1 Year Standard Limited Warranty

- 2nd/3rd Year Warranty Extension SWP-PEQQ3V
- 3 Year SystemGuard + Warranty Extension SWP-PEGQ3V
- 3 Year ServiceExpress + Warranty Extension SWP-PEQP3V
- 3 Year At-Home Repair + Warranty Extension SWP-PEQH3V
- 3 Year SystemGuard + Service Express SWP-PEGP3V
- 3 Year SystemGuard + At-Home Repair SWP-PEGH3V

## Accessories

For additional and most update accessories, please visit [www.accessories.toshiba.com](http://www.accessories.toshiba.com).

### Memory

KTT3311/256	Kingston PC2100/PC2700, 256MB DDR
KTT3311/512	Kingston PC2100/PC2700, 512MB DDR
KTT3311/1G	Kingston PC2100/PC2700, 1GB DDR

### Power

PA3396U-1ACA	Toshiba 65W Global AC Adapter
PA3395U-1BRS	Toshiba Primary Li Ion Battery (8 cell)

### Cases-Security

PA1360U-1NCS	Toshiba Nylon Case (15.4")
PA1361U-1NCS	Toshiba Executive Leather Case (15.4")
PA1362U-1NCS	Toshiba BackPack (15.4")
NWDEFCL	Targus-Noteworthy DEFCON CL Cable Lock

### Input Devices

PA1336U-1NKB	Toshiba USB Keyboard
PA1337U-1NMS	Toshiba USB Optical Scroller Mouse
PA1367U-1NMS	Toshiba USB Ultra-Mini Retractable Scroller Mouse
PA1368U-1NHB	Toshiba USB 2.0 mini 4-Port Hub (w/AC adapter)

### Storage & Back-up

HDD1232CZP41002	Toshiba 5GB Type II PC Card HDD w/Back-up software
PA3109U-1FDD	Toshiba USB Floppy Disk Drive Kit
UABS2-40.0	CMS ABSplus 40GB USB 2.0 Auto Backup System
UABS2-60.0	CMS ABSplus 60GB USB 2.0 Auto Backup System
ABSPLUS-40.0	CMS ABSplus 40GB PCMCIA Auto Backup System
ABSPLUS-40.0	CMS ABSplus 60GB PCMCIA Auto Backup System

### Other

PA1370U-1ETC	Toshiba Keyboard Protector (Tecra/Satellite/Qosmio)
--------------	---

## Return Policy

Notwithstanding anything to the contrary in any third party License Agreement or product documentation supplied with your PC, Toshiba America Information Systems, Inc. ("TAIS") does not accept the return of component parts, or bundled software, that have been removed from the PC system. Pro-rata refunds on individual PC components or bundled software, including the operating system, will not be granted. If you wish to return a complete PC system, contact the TAIS dealer where you purchased the product, and comply with the dealer's standard return policies and procedures.

Toshiba America Information Systems, Incorporated ("TAIS")

9740 Irvine Boulevard

Irvine CA 92618

ToshibaDirect website: <http://www.toshibadirect.com>

TAIS website for resellers: <http://sell.toshiba.com>

TAIS PC Support website: <http://pcsupport.toshiba.com>

Portégé, Satellite, Tecra, Slim SelectBay and SystemGuard are registered trademarks and ConfigFree is a trademark of Toshiba America Information Systems, Inc. and/or Toshiba Corporation. Intel, Celeron, Centrino, Intel Inside, Pentium, the Intel Centrino logo, and the Intel Inside logo are trademarks or registered trademarks of Intel Corporation or its subsidiaries in the United States and other countries. Microsoft and Windows are registered trademarks and OneNote is a trademark of Microsoft Corporation in the United States and/or other countries. Winstone® is a registered trademark and BatteryMark™ is a trademark of Ziff Davis Publishing Holdings Inc. in the U.S. and other countries. MobileMark™ is a trademark of the Business Applications Performance Corporation. Wi-Fi is a registered certification mark of the Wi-Fi Alliance. The Bluetooth word mark and logos are owned by the Bluetooth SIG, Inc. and any use of such marks by Toshiba is under license. NVIDIA and GeForce are registered trademarks or trademarks of NVIDIA Corporation in the United States and/or other countries. All other trademarks are the property of their respective owners.

## <sup>1</sup>Subject to Change

While Toshiba has made every effort at the time of publication to ensure the accuracy of the information provided herein, product specifications, configurations, prices, system/component/options availability are all subject to change without notice. For the most up-to-date product information about your computer, or to stay current with the various computer software or hardware options, visit Toshiba's Web site at <http://pcsupport.toshiba.com>. The product specifications and configuration information are designed for a product Series. Your particular model may not have all the features and specifications listed or illustrated. For more detailed information about the features and specifications on your particular model, please visit Toshiba's Web site at <http://pcsupport.toshiba.com>.

Certain notebook chassis are designed to accommodate all possible configurations for an entire product series. Your select model may not have all the features and specifications corresponding to all of the icons or switches shown on the notebook chassis, unless you have selected all those features.

## <sup>2</sup>Central Processing Unit ("CPU") Performance Disclaimer.

CPU performance in your computer product may vary from specifications under the following conditions:

- use of certain external peripheral products
- use of battery power instead of AC power
- use of certain multimedia games or videos with special effects
- use of standard telephone lines or low speed network connections
- use of complex modeling software, such as high end computer aided design applications
- use of computer in areas with low air pressure (high altitude >1,000 meters or >3,280 feet above sea level)
- use of computer at temperatures outside the range of 5°C to 30°C (41°F to 86°F) or >25°C (77°F) at high altitude (all temperature references are approximate and may vary depending on the specific computer model – please refer to your Resource Guide or visit the Toshiba website at [www.pcsupport.toshiba.com](http://www.pcsupport.toshiba.com) for details).

CPU performance may also vary from specifications due to design configuration.

Under some conditions, your computer product may automatically shut-down. This is a normal protective feature designed to reduce the risk of lost data or damage to the product when used outside recommended conditions. To avoid risk of lost data, always make back-up copies of data by periodically storing it on an external storage medium. For optimum performance, use your computer product only under recommended conditions. Read additional restrictions under "Environmental Conditions" in your product Resource Guide. Contact Toshiba Technical Service and Support for more information.

## <sup>3</sup>Hard Drive Capacity Disclaimer.

1 Gigabyte (GB) means  $1000 \times 1000 \times 1000 = 1,000,000,000$  bytes using powers of 10. The computer operating system, however, reports storage capacity using powers of 2 for the definition of 1 GB =  $1024 \times 1024 \times 1024 = 1,073,741,824$  bytes, and therefore may show less storage capacity. Available storage capacity will also be less if the product includes pre-installed operating system and/or application software. Actual formatted capacity may vary.

## <sup>4</sup>TFT Disclaimer.

Small bright dots may appear on your TFT display when you turn on your PC. Your display contains an extremely large number of thin-film transistors (TFT) and is manufactured using high-precision technology. Any small bright dots that may appear on your display are an intrinsic characteristic of the TFT manufacturing technology. Over a period of time, and depending on the usage of the computer, the brightness of the LCD Screen will deteriorate. This is an intrinsic characteristic of LCD technology. Screen will dim when the computer is operated on battery power and you may not be able to increase the brightness of the screen.

## <sup>5</sup>FCC Modem Speed Disclaimer.

Due to FCC limitations, speeds of 53 kbps are the maximum permissible transmission rates during download. Actual data transmission speeds will vary depending on line conditions.

## Wireless or Connectivity Claims.

Wireless connectivity is subject to availability of access points. You might have to purchase additional software, hardware and/or services or pay for phone charges and air time, etc. to achieve the functionality as advertised.

## <sup>6</sup>Weight Disclaimer

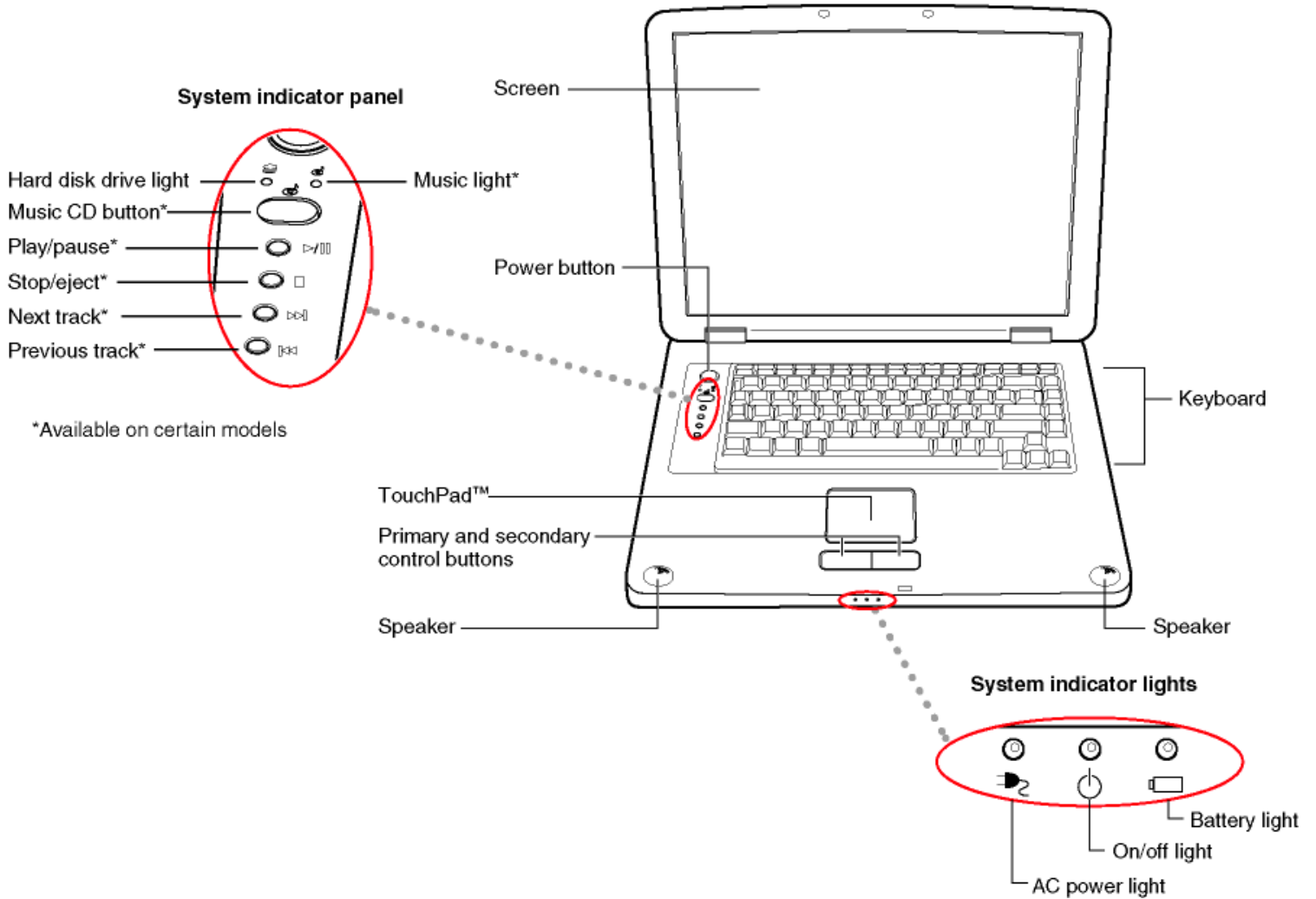
Weight may vary depending on product configuration, vendor components, manufacturing variability and options selected.

**<sup>7</sup> BAPCo® MobileMark Battery Life Data Disclaimer**

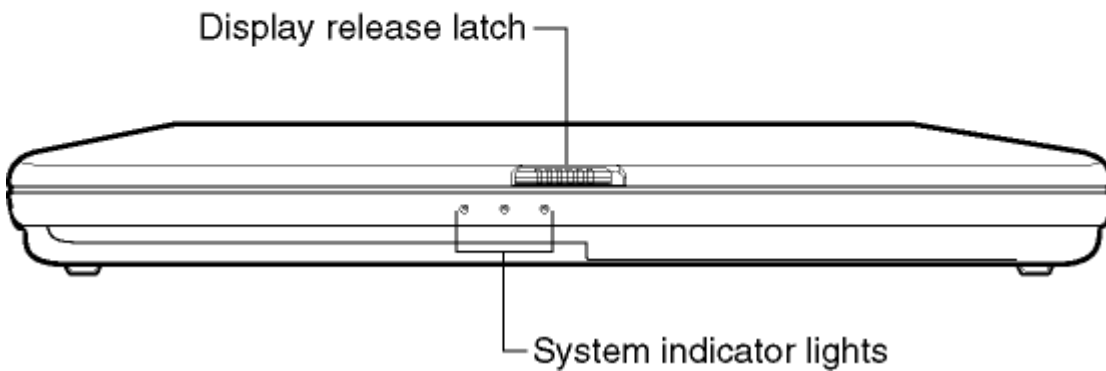
Battery life may vary depending on product model, configuration, applications, power management settings and features utilized. Recharge time varies depending on usage. Battery may not charge while computer is consuming full power. After a period of time, the battery will lose its ability to perform at maximum capacity and will need to be replaced. This is normal for all batteries. To purchase a new battery pack, see the accessories information that shipped with your computer or visit the Toshiba web site at [accessoryfinder.toshiba.com](http://accessoryfinder.toshiba.com).

These models achieved the battery life times shown using Business Applications Performance Corporation ("BAPCo®") MobileMark™ 2002. BAPCo does not make any representations or warranties as to the results of the tests. MobileMark™ and BAPCo® are registered trademarks of Business Applications Performance Corporation in the U.S. and other countries. © Copyright 2004 BAPCo. All Rights Reserved.

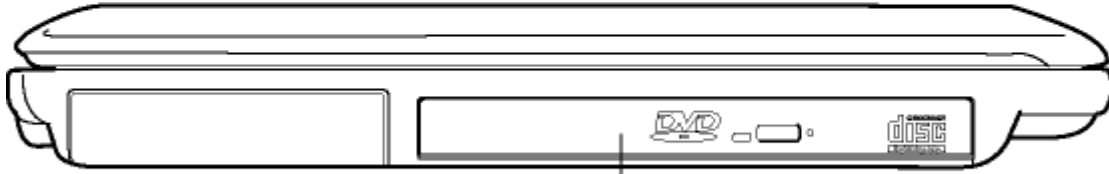
# Front with display open



# Front with display closed

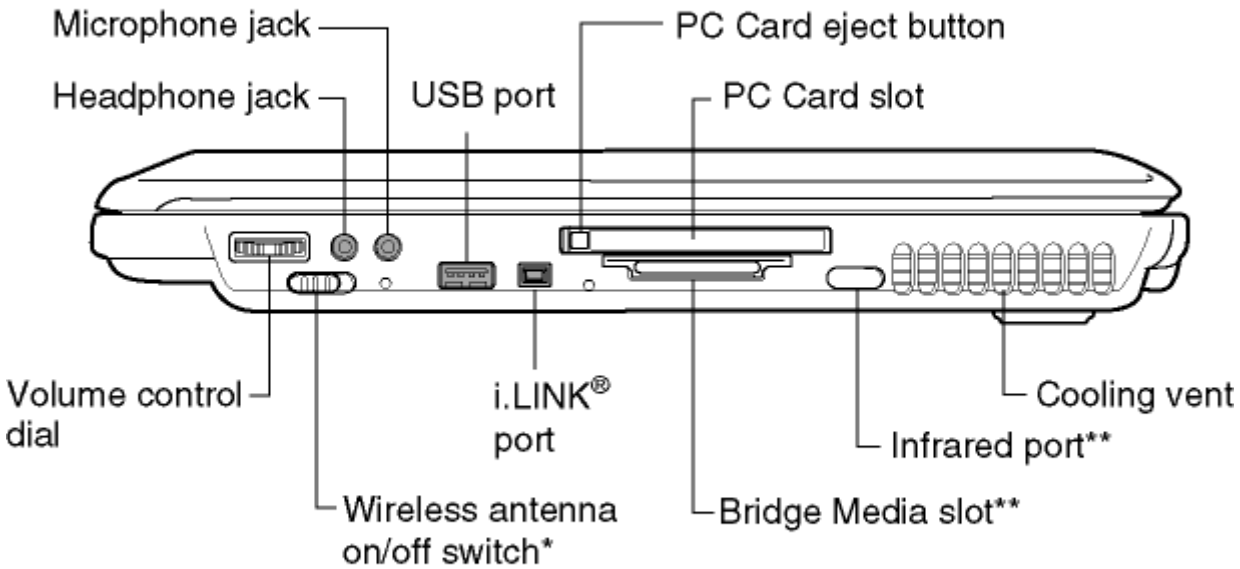


# Left side



DVD-ROM or multi-function  
sample drive shown

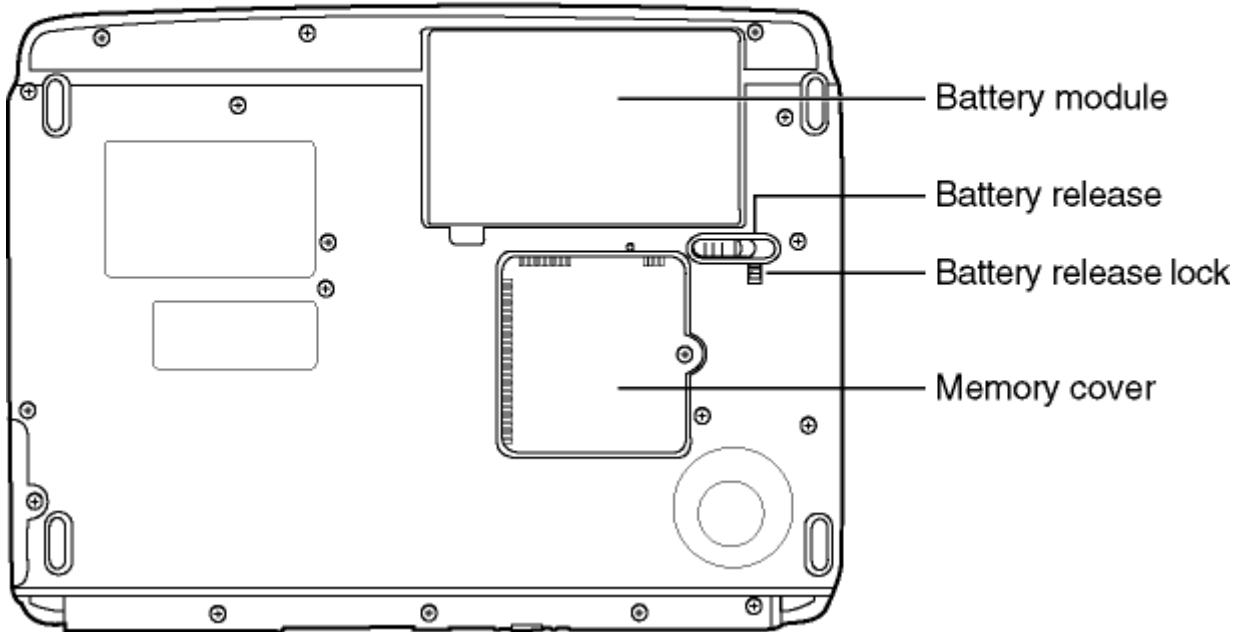
# Right side



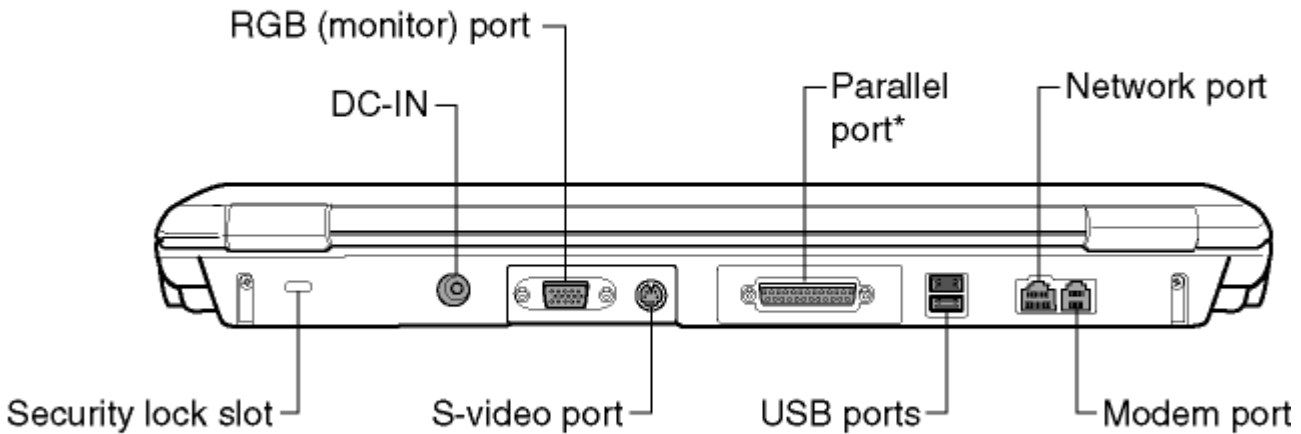
\*Functional only on systems with wireless module installed.

\*\*Available on certain models.

# Underside



# Back



\*Available on certain models