

TOSHIBA

Satellite® 1130 Series

Best Desktop Replacement with powerful features at a value price

Feature Model(s):

Satellite 1130-S155

Cel 2000/15.0"XGA/512MB/40GB/DVD-CDRW/Mdm/LAN/WinXP Pro

Satellite 1130-S156

Cel 2000/15.0"XGA/512MB/40GB/DVD-CDRW/Mdm/LAN/WinXP Home

Satellite® 1130 Small Business Series

Cel 2000/15.0"XGA/512MB/40GB/DVD-CDRW/Mdm/LAN/WinXP Pro/Office XP SB

Cel 2000/15.0"XGA/512MB/40GB/DVD-CDRW/Mdm/LAN/WinXP Pro/Office XP Pro

Part Numbers

PS113U-05X9Y7

PS113U-05X9Y3

PS113U-05X9Y7W

PS113U-05X9Y7X

Product Highlights

Performance

- Intel® Celeron® processor at 2.00GHz
- 512MB expandable to 1024MB
- 40GB* hard disk drive

Great Features

- 15.0" TFT active matrix display
- DVD-ROM/CDRW multi-function drive

Get On-Line

- Integrated V.92/56K modem
- Integrated 10/100 Ethernet LAN
- *Optional Upgrade:* Integrated 802.11b Wireless LAN module

System Characteristics

CPU (See CPU Disclaimers)

- Intel® Celeron® processor at 2.00GHz**
- Integrated co-processor

L2 Cache

- 256KB Level 2 Cache integrated on die
- 400MHz Processor System Bus Clock Speed (PSB)

Memory

- 512MB (2 DIMM) expandable to 1024MB; SODIMM expansion memory
- 128/256/512MB PC2100 DDR SDRAM, 2.5V
- Data/Address Bus Width; 64-bit/32-bit
- Intel 852GM Chipset

Mass Storage

- **Primary Hard Disk Drive:** 40GB* hard disk drive; Enhanced IDE (ATA-5); 4200rpm drive rotation; 9.5mm height, 0.2lbs, service removable
- **DVD-ROM/CDRW:** ATAPI Interface; Maximum Speed: CD-R(24x), CD-RW(10x), DVD-ROM(8x), CD-ROM(24x); Compatibility: CD-ROM, CD-R, CD-RW, DVD-ROM, DVD-R (read only)
- Software Decoder: InterVideo® (WinDVD™)

Graphics/Video

- 15.0" TFT active-matrix display; Internal display supports up to 16M colors at 1024 x 768
- 32MB internal Integrated Intel® 852GM video memory
- Direct 3D Support; OpenGL Support; DirectVideo and DirectMPEG (supported by software only)
- External Color Support/Refresh rate:
800 x 600; 60/75/85Hz; 64K/16M colors (clean stretch) 1024 x 768; 60/75/85Hz; 64K/16M colors
1280 x 1024; 60/75/85Hz; 64K/16M colors
1600 x 1200; 60Hz; 64K/16M colors

Input Devices

- **Keyboard:** Full sized 85 keys with 12 function keys, 2.7mm key stroke, 6mm height; Dedicated Windows® & Application keys support; HotKey function; **TouchPad** pointing device; Scroll function (by help of driver)

Expandability

- 2 Memory slots (including main memory slot) – (Both slots may be occupied)
- 2 PC Card slots supports 1 Type III and 2 Type II PC Cards

Communications

- Integrated V.92/56K modem; Data and fax support
- Integrated 10/100 Ethernet LAN
- **Optional Upgrade:** Integrated Wireless LAN (IEEE 802.11b) module

Due to FCC limitations, speeds of 53kbps are the maximum permissible transmission rates during Download. Actual data transmission speeds will vary depending on line conditions.

Ports

- ECP Parallel printer port
- RGB Port (Monitor)
- 3 Universal Serial Bus ports (2.0)
- TV-Out (S-Video)
- RJ-45 LAN port
- RJ-11 modem port

Physical Description

- Dimensions (LxWxH): 13.0" x 11.0" x 1.7"
- Weight: 6.2lbs
- Power Switch; Wireless Communications switch
- LED Indicators: Power, Power Save Mode, HDD, FDD, CD/DVD-ROM, DC-IN, Caps Lock, Arrow, Numeric, Main Battery Charging Status, System Sleep / Suspend status, Wireless Communication (left side)

Sound

- Realtek ALC202 Codec Chip; Software Sound Chip
- 16-bit stereo, Windows Sound System V2.0; SoundBlaster® Pro compatible (in DOS box only)
- Direct 3D Sound (supported by sound driver); DirectSound and DirectMusic (supported by hardware acceleration); Full Duplex and MIDI support; 3D Sound Support (HRTF 3D positional audio)
- Sound Volume Control Dial
- **Ports:** Microphone port, headphone port, Line-in port

Power Supply

- **AC Adapter:** 75W external AC Adapter, 100-240V / 50-60Hz frequency (Universal) input voltage, 19V x 3.95A Output.
- **Battery Pack:** 8-cell, rechargeable, removable Li-Ion battery, 14.8V x 4300mAh
Dimension (LxWxH): 5.5" x 4.9" x 0.8"
Weight: 1.5lbs
- Up to 3.0H battery life
- Recharge Time (Main Battery On/Off): 3.5H / 3.5H-8.0H
- Battery life may vary depending on product model, configuration, applications, power management settings and features utilized. Recharge time varies depending on usage. Battery may not charge while computer is consuming full power. After a period of time, the battery will lose its ability to perform at maximum capacity and will need to be replaced. This is normal for all batteries. To purchase a new battery pack, see the accessories information that shipped with your computer or visit www.accessories.toshiba.com

Security

- Slot for computer lock, HDD and memory (by screw only), Built-in Modem/LAN (screw only), User Power-on password, Setup Security, Screen Blank (by Hotkey), Screen Saver by software

Bios

- ACPI, PnP, VESA, DPMS, DDC, SM BIOS, PCI BIOS support

TOSHIBA

Operating System

- Microsoft® Windows XP Pro (1130-S155) pre-installed
- Microsoft® Windows XP Home (1130-S156) pre-installed
- Windows 2000 component drivers on the web

Additional Software

- Microsoft® Office XP SB (Small Business) - ***(on some models – See Product/Part Numbers below)**
- Microsoft® Office XP Pro (Professional) - ***(on some models – See Product/Part Numbers below)**
- Intuit® Quicken® Basic 2001
- Norton® AntiVirus™ 2002
- AOL® (3 –Month offer)
- Adobe® Acrobat™ Reader
- AT&T® Worldnet® Service – 1 Month Free
Telephone access and other charges and other terms and conditions may apply. Offer available to new customers only. Offer expires 4/30/04.
- Microsoft Internet Explorer
- Toshiba Custom Utilities
- Satellite Series Online Documentation
- **Toshiba Great Software Offer:** Receive your choice of two software titles. The software selection includes titles from the follow categories; productivity, education/reference, creativity and entertainment

Warranty

- 1 year parts, labor and battery

SelectServ® Warranty Programs

SWP-PEQQ3V	Warranty Extension to 3 Years
SWP-PEGQ3V	3 Year SystemGuard
SWP-PEQX3V	3 Year Depot Express
SWP-PEGX3V	3 Year SystemGuard + Depot Express
SWP-PEQN3V	3 Year Business On-Site Repair; Next Day Business Day Response
SWP-PEGN3V	3 Year SystemGuard + Business On Site Repair, Next Business Day Response

Environmental Specifications

- **Temperature:** Operating: 5° to 35°C (41° to 95°F); Non-operating: -20° to 65°C (-4° to 149°F)
- **Thermal gradient:** Operating: 15°C per hour maximum; Non-operating: 20°C per hour maximum
- **Relative Humidity:** Operating: 20% to 80% non-condensing; Non-operating: 10% to 95% non-condensing
- **Altitude (relative to sea level):** Operating: -60 to 3000 meters; Non-operating: -60 to 10,000 meters
- **Shock:** Operating: 10G; Non-operating: 60G
- **Vibration:** Operating: 0.5G; Non-operating: 1.0G

Selected Accessories

Toshiba Accessories

PA3165U-1ACA	Global AC adapter
PA3251U-1BRS	Primary Li-Ion Battery (8-cell)
PA3212U-3MPCR	Wireless LAN Card Kit (802.11b)
PA3109U-1FDD	USB Floppy Disk Drive

Targus Cases-Security

NWCTM1	Metropolitan Carrying Case (koskin)
NWCEC2	Executive Classic
NWCC52	Global Traveler
PA450U	Targus Defcon Key Lock

Kingston Memory

KTT3614/128	128MB PC2100 DDR SDRAM Memory
KTT3614/256	256MB PC2100 DDR SDRAM Memory
KTT3614/512	512MB PC2100 DDR SDRAM Memory

Agere Wi-Fi

7000011030	AP-2000 (802.11a/b) Access Point
------------	----------------------------------

*Go to www.accessories.toshiba.com for additional, available accessories

Product/Part Numbers

PS113U-05X9Y7	Satellite 1130-S155 (Win XP Pro)
PS113U-05X9Y3	Satellite 1130-S156 (Win XP Home)
PS113U-05X9Y7X	Satellite 1130 Small Business Series (Office XP Professional)
PS113U-05X9Y7W	Satellite 1130 Small Business Series (Office XP Small Business)

* GB = 1 billion bytes

** Central Processing Unit ("CPU") Performance Disclaimer:

CPU performance in your computer product may vary from specifications under the following conditions:

- use of certain external peripheral products
- use of battery power instead of AC power
- use of certain multimedia games or videos with special effects
- use of standard telephone lines or low speed network connections
- use of complex modeling software, such as high end computer aided design applications
- use of computer in areas with low air pressure (high altitude >1,000 meters or >3,280 feet above sea level)
- use of computer at temperatures outside the range of 5°C to 35°C (41°F to 95° F) or >25°C (77°F) at high altitude (all temperature references are approximate).

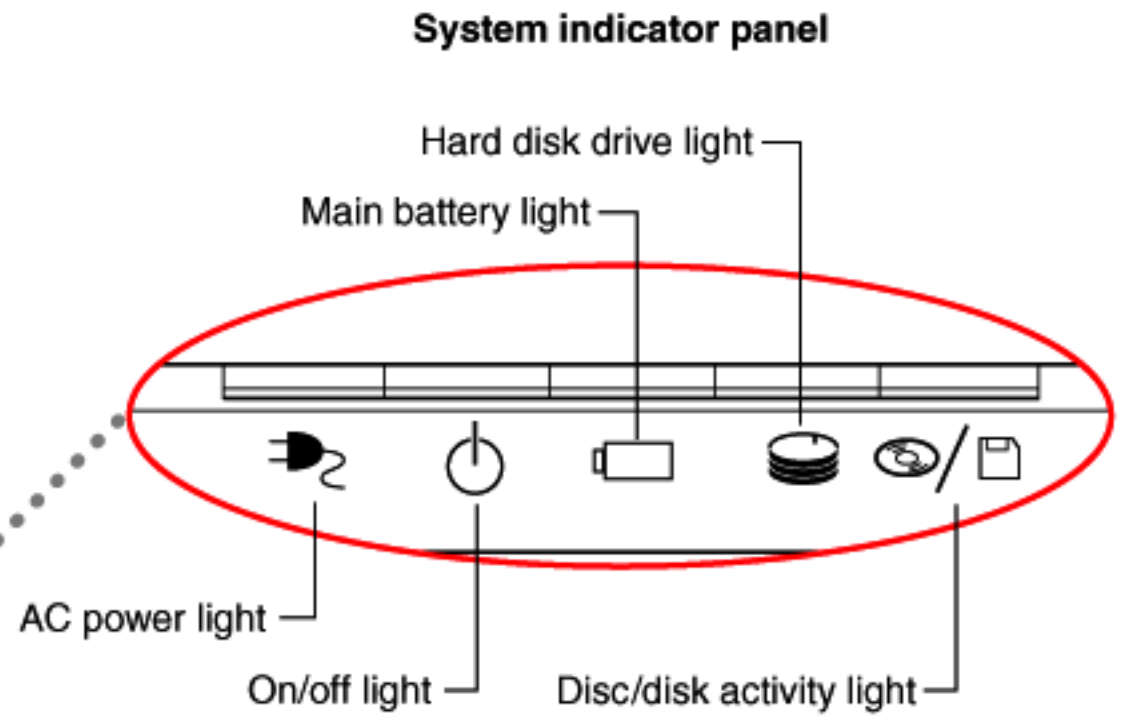
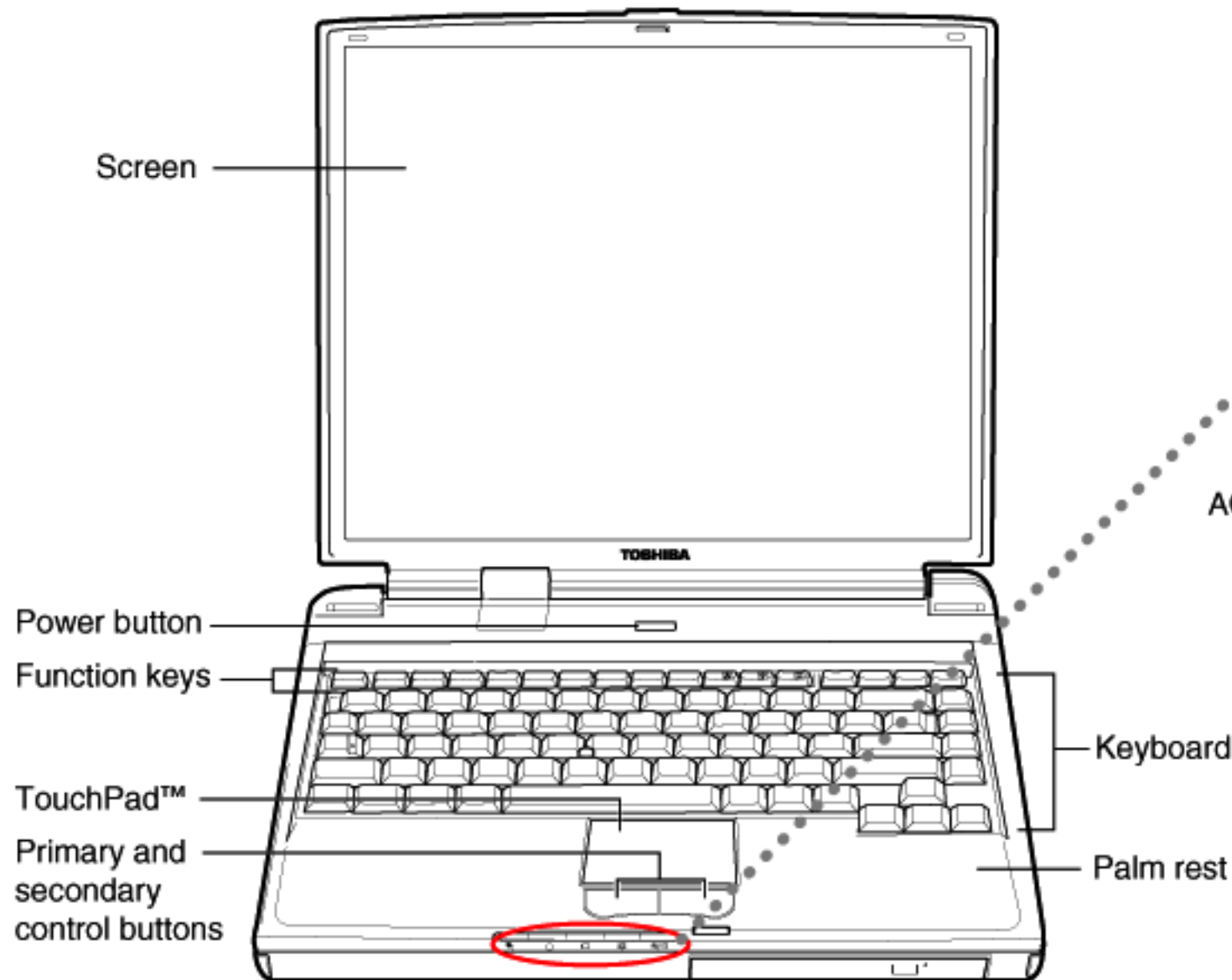
CPU performance may also vary from specifications due to design configuration.

Under some conditions, your computer product may automatically shut-down. This is a normal protective feature designed to reduce the risk of lost data or damage to the product when used outside recommended conditions. To avoid risk of lost data, always make back-up copies of data by periodically storing it on an external storage medium. For optimum performance, use your computer product only under recommended conditions. Read additional restrictions under "Environmental Conditions" in your product Resource Guide. Contact Toshiba Technical Service and Support for more information.

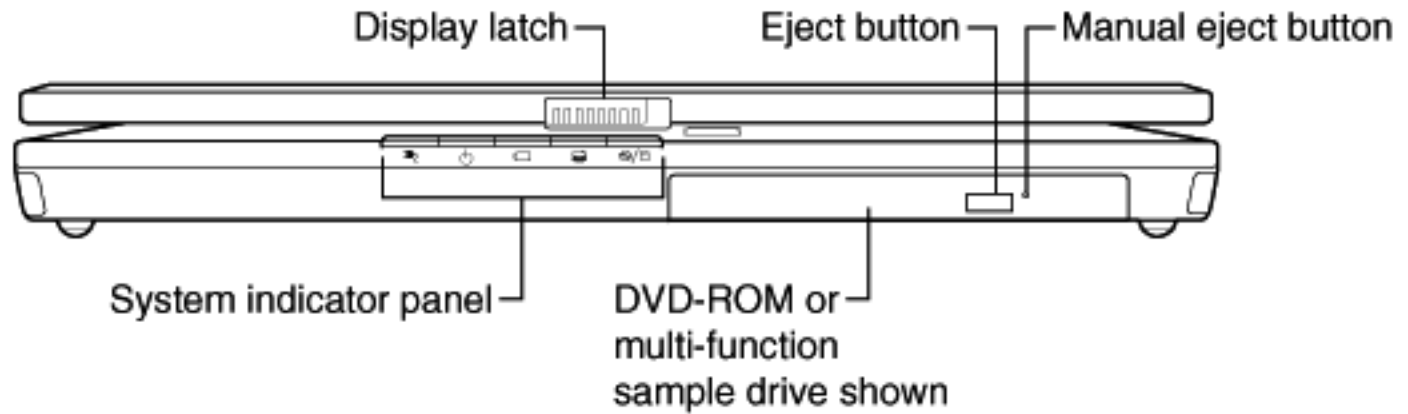
Return Policy

TAIS does not accept the return of component parts, or bundled software, which have been removed from the PC system. Pro-rata refunds on individual PC components or bundled software, including the operating system, will not be granted. If you wish to return a complete PC system, contact the TAIS dealer where you purchased the product, and comply with the dealer's standard return policies and procedures.

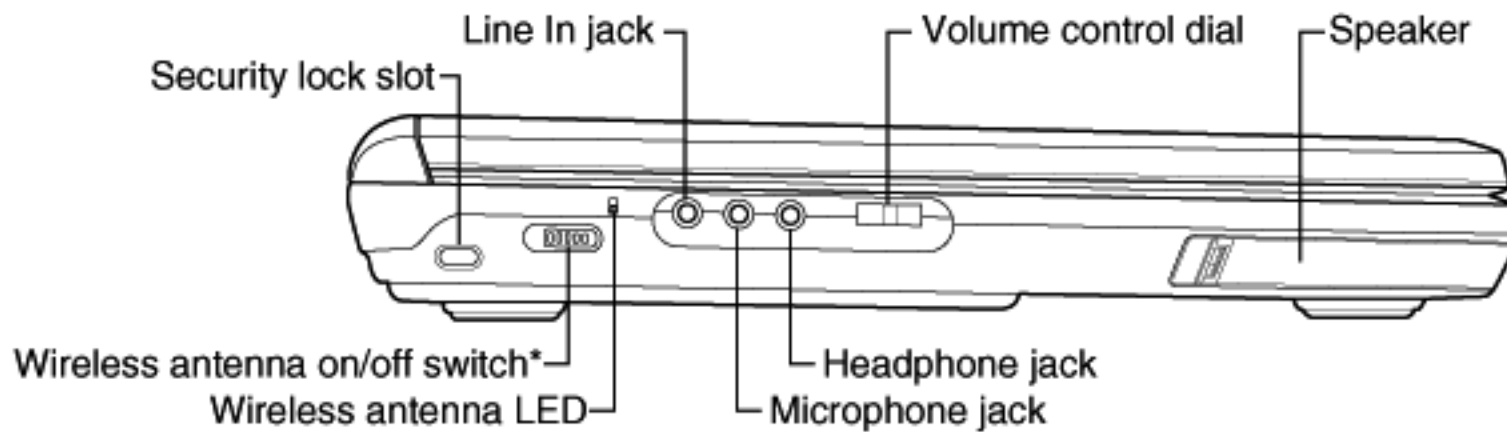
Front with display open



Front with display closed

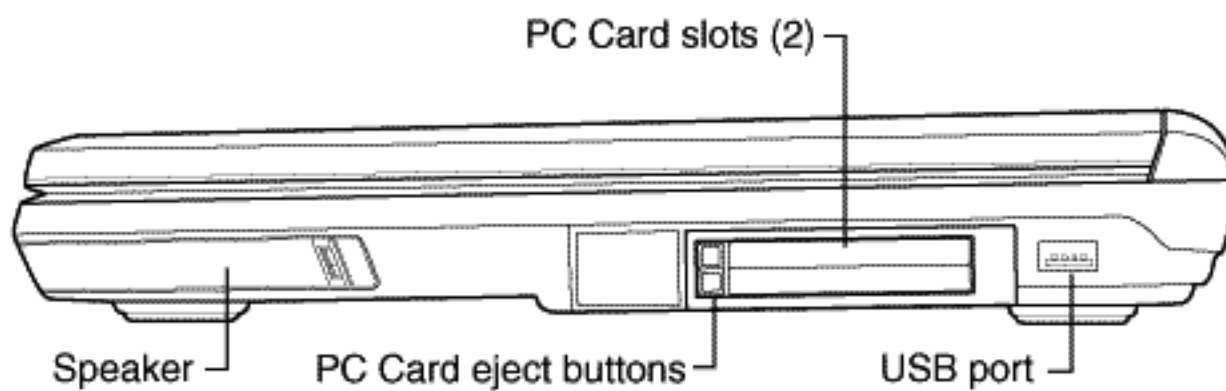


Left side

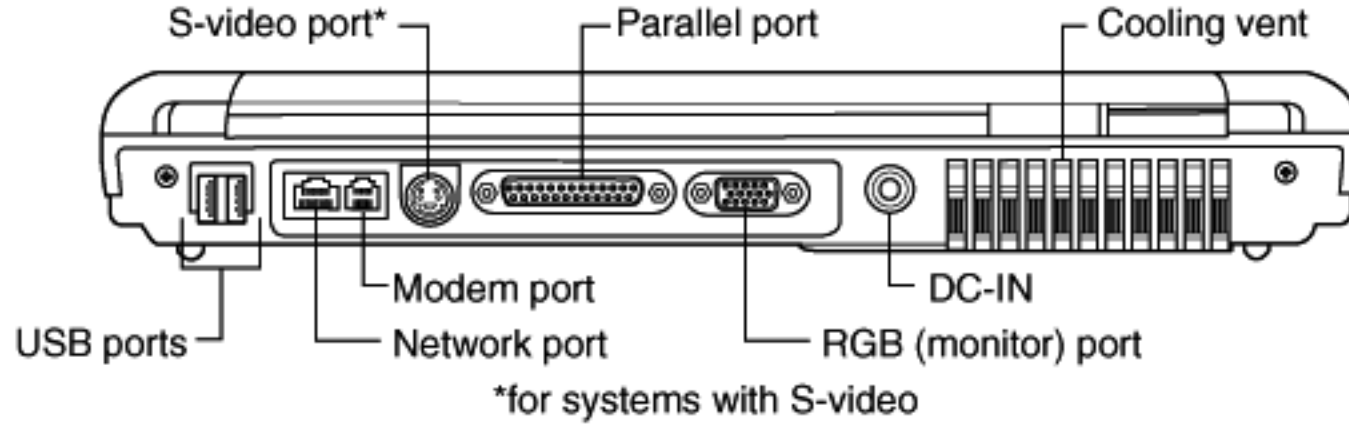


*functional only on systems with a wireless module installed

Right side



Back



Underside

