

Satellite M35X

Model Name	Description	Part Number	UPC Code
M35X-S309	Intel Pentium M Processor 710, 15.4" WXGA, 256MB, 60GB (4200 RPM), DVD/CD-RW, TV-out, IEEE 1394, 5-in1, 802.11bg, Microsoft® Windows® XP Home, 1-year Limited Warranty	PSA72U-01400U	032017275024
M35X-S3091	Intel Pentium M Processor 710, 15.4" WXGA, 256MB, 60GB (4200 RPM), DVD/CD-RW, TV-out, IEEE 1394, 5-in1, 802.11bg, Microsoft® Windows® XP Professional, 1-year Limited Warranty	PSA72U-01400Y	032017272415
M35X-S329	Intel Pentium M Processor 725, 15.4" WXGA, 512MB, 80GB (4200 RPM), DVD/CD-RW, TV-out, IEEE 1394, 5-in1, 802.11bg, Microsoft® Windows® XP Home, 1-year Limited Warranty	PSA72U-00V00U	032017269989
M35X-S3291	Intel Pentium M Processor 725, 15.4" WXGA, 512MB, 80GB (4200 RPM), DVD/CD-RW, TV-out, IEEE 1394, 5-in1, 802.11bg, Microsoft® Windows® XP Professional, 1-year Limited Warranty	PSA72U-00V00Y	032017269996
M35X-S349	Intel Pentium M Processor 735, 15.4" WXGA TruBrite™ CSV, 512MB, 80GB (4200 RPM), DVD-SuperMulti, TV-out, IEEE 1394, 5-in1, 802.11bg, Microsoft® Windows® XP Home, 1-year Limited Warranty	PSA72U00W00X	032017270008
M35X-S3491	Intel Pentium M Processor 735, 15.4" WXGA TruBrite™ CSV, 512MB, 80GB (4200 RPM), DVD-SuperMulti, TV-out, IEEE 1394, 5-in1, 802.11bg, Microsoft® Windows® XP Professional, 1-year Limited Warranty	PSA72U00W00Z	032017270015

System Characteristics¹

Operating System

- Microsoft® Windows® XP Home
- Microsoft® Windows® XP Professional

Processor and Chipset

Intel® Centrino™ Mobile Technology featuring:

- Choice of processors:
 - Intel Pentium® M processor 710 [2MB Level 2 cache, Processor speed 1.40GHz 400MHz Front Side Bus ("FSB")],
 - Intel Pentium® M processor 725 [2MB Level 2 cache, Processor speed 1.60GHz 400MHz Front Side Bus ("FSB")],
 - Intel Pentium® M processor 735 [2MB Level 2 cache, Processor speed 1.70GHz 400MHz Front Side Bus ("FSB")],
- Intel 855GME system chipset
- Intel PRO/Wireless 2200BG

Memory

- 256MB, 512MB, or 1024MB PC2700 DDR333 SDRAM 2.5V SODIMM Memory modules; expandable to 2048MB (both slots may be occupied)

Mass Storage

Choice of Hard Disk Drives²:

- 80GB (4200 RPM), 60GB (4200 RPM), Enhanced IDE (ATA-5) hard disk drive; 9.5mm height; user removable

Choice of Optical Disk Drives:

- **Fixed Bay DVD-ROM/CD-RW**, 5.25" EIDE, 12.7mm height. Compatibility: CD-ROM (read), CD-R (read), CD-RW (read/write), DVD-ROM (read), DVD-R (read), DVD-RW (read), DVD-RAM (read)
- or,
- **Fixed Bay DVD Super Multi Drive**, 5.25" EIDE, 12.7mm height. Capability: CD-ROM (read), CD-R (read/write), CD-RW (read/write), DVD-ROM (read), DVD-R (read/write), DVD-RW (read/write), DVD+R (read/write), DVD+RW (read/write), DVD-RAM (read/write)

Optional Floppy Disk Drive

- External USB Floppy Drive, 3.5", 1.44MB

Display³

- 15.4" diagonal WXGA TFT active-matrix LCD; internal display supports up to 16M colors at 1280 x 800 (WXGA)
- Maximum Brightness 150 Cd/m²
- Brightness Control
- or,
- 15.4" WXGA TFT active-matrix TruBrite™ LCD; internal display supports up to 16M colors at 1280 x 800 (WXGA)
- Maximum Brightness 200 Cd/m²
- Brightness Control

Graphics

- Intel 855GME, 16MB-64MB (DVMA) shared video memory

Input Devices

- Keyboard: Full sized 85 keys with 12 function keys, 2.7mm key stroke, 6mm height; Dedicated Windows® & Application keys support; HotKey function
- Mouse: Touch Pad

Expandability

- 2 Expansion memory slots (including Main Memory)
- 1 PC Card slots support 1 Type II, PCMCIA R2.01, PC Card16, CardBus

Communications⁴

- Integrated V.92 modem
- Integrated 10/100Base-TX
- Integrated Wi-Fi compliant wireless LAN Intel PRO/Wireless 802.11bg

Ports

Standard

- RGB (monitor) port
- TV-out (S-Video)
- 3 Universal Serial Bus (USB) ports (v2.0)
- External Microphone jack
- Headphone jack
- RJ-45 LAN port
- RJ-11 modem port
- IEEE 1394

Configured (Only available on certain models)

- Parallel port
- Infrared port
- 5-in-1 Multimedia port (SD, Memory Stick, MMC, xD-picture card, Memory Stick Pro)

Physical Description

- Dimensions (WxDxH Front/H Rear): 14.4" x 10.8" x 1.16"/1.48"
- Weight⁵: Starting at 6.6 lbs depending upon configuration
- LED Indicators: DC-In, Power, Primary Battery, Hard Drive, CD/DVD-ROM, Multiple Digital Media, Wireless indicator, Caps Lock, Arrow Lock, Numeric Lock, Main Battery Charging Status, Sleep Suspend Mode.

Sound

- Realtek ALC250 Software Sound
- 16-bit stereo; Built-in stereo speakers, Built-in microphone
- Direct 3D Sound; DirectSound, 3D Sound, Direct Music, MIDI (playback)
- Sound Volume Control Dial

Power Supply

- 65W (19V 3.42A) Auto-sensing external AC Adapter, 100-240V / 50-60Hz input.

Battery⁶

- 8-cell (4300mAh) rechargeable, removable Lithium Ion (Li-Ion) battery pack
- Battery Life (Normal Mode): Battery Life: Up to 4 hours (measured by MobileMark™***)

Security

- Slot for cable lock, HDD, memory (by screw only), User Power-on password, Supervisor Password, Screen Blank (by Hotkey), Screen Saver (by software).

TOSHIBA

BIOS

- ACPI v1.0b, PNP v1.0a, VESA v2.0, DPMS, DDC, SM BIOS v2.34, PC BIOS v2.2 support

Software and Utilities

Third-party

- Microsoft® Works
- Microsoft® Office Trial Version Student/Teacher
- Microsoft® Office OneNote™ 2003
- Software Decoder: Intervideo® (WinDVD™ 5)-w/SRS TruSurround XT® Technology
- Sonic® Solutions Drive Letter Access (DLA)
- Sonic® Solutions RecordNow!™ Basic
- ArcSoft ShowBiz® DVD Version 1.3
- Intuit® Quicken® New User Edition 2004
- Norton AntiVirus™ 2004 – w/3-Month Subscription
- AOL® (3 –Month offer)
AOL OFFER DETAILS: Availability may be limited, especially during peak times. TO AVOID BEING CHARGED A MONTHLY MEMBERSHIP FEE, SIMPLY CANCEL BEFORE THE THREE-MONTH PROMOTIONAL PERIOD ENDS. Premium services carry surcharges and communication surcharges may apply, including AK, even during promotional period. Members may incur telephone charges on their phone bill, depending on their location and calling plan, even during promotional period. Available to new AOL members in the United States, age 18 or older; a major credit card or checking account is required.
- Adobe® Acrobat Reader
- AT&T® Worldnet® Service – 1 Month FREE
Telephone access and other charges and other terms and conditions may apply. Offer available to new customers only.
- QuickTime™ Player
- RealOne™ Player 8 Basic
- Microsoft® Internet Explorer
- Napster® online digital music service (30-day trial)

Toshiba Software and Utilities

- Toshiba Notebook Maximizer
- Toshiba Speech System
- Toshiba ConfigFree™
- Toshiba Custom Utilities
- Toshiba Touch and Launch
- TOSHIBA MyConnect™ - 45 day free trial offer
MYCONNECT OFFER DETAILS: 1 Valid in the US only! You must cancel your Access Plan before the end of the trial period to avoid being charged the \$39.95 monthly Access Service fee for the six month plan commitment period. Monthly automatic renewal feature after end of commitment period. Available to new members in the U.S., age 18 or older, and a major credit card for billing is required. Offer is for unlimited dial-up, wired broadband, or Wi-Fi remote access connection time in the 50 United States and the District of Columbia within the MyConnect service area for 30 day continuous service periods. Use of optional 800 telephone number dial-up usage will incur additional fees even during the trial period. Other terms and conditions apply. Offer expires December 31, 2004. Information, prices, and availability subject to change without notice.

Limited Warranty

- 1 year parts, labor, and battery

Extended Warranty

Toshiba offers many different warranty extensions and enhanced service plans such as SystemGuard®, At-Home Repair, and Service Express to provide additional support to your notebook PC. For a full description and complete list of programs, please visit www.accessories.toshiba.com

Models with 1 Year Standard Limited Warranty

- 2nd/3rd Year Warranty Extension SWP-PEQQ3V
- 3 Year SystemGuard + Warranty Extension SWP-PEGQ3V

- 3 Year ServiceExpress + Warranty Extension SWP-PEQP3V
- 3 Year At-Home Repair + Warranty Extension SWP-PEQH3V
- 3 Year SystemGuard + Service Express SWP-PEGP3V
- 3 Year SystemGuard + At-Home Repair SWP-PEGH3V

Accessories

For additional and most update accessories, please visit www.accessories.toshiba.com.

Memory

KTT3311/512	Kingston PC2100/PC2700, 512MB DDR
KTT3311/1G	Kingston PC2100/PC2700, 1GB DDR

SD Memory Cards (Only on selected models with 5-in-1 slot)

SD-M2564B3	Toshiba 256MB SD (Secure Digital)
SD-M5124B3	Toshiba 512MB SD (Secure Digital)

Power

PA3396U-1ACA	Toshiba 65W Global AC Adapter
PA3395U-1BRS	Toshiba Primary Li Ion Battery (8 cell)

Cases-Security

PA1360U-1NCS	Toshiba Nylon Case (15.4")
PA1361U-1NCS	Toshiba Executive Leather Case (15.4")
PA1362U-1NCS	Toshiba BackPack (15.4")
NWDEFCL	Targus-Noteworthy DEFCON CL Cable Lock

Input Devices

PA1336U-1NKB	Toshiba USB Keyboard
PA1337U-1NMS	Toshiba USB Optical Scroller Mouse
PA1367U-1NMS	Toshiba USB Ultra-Mini Retractable Scroller Mouse
PA1368U-1NHB	Toshiba USB 2.0 mini 4-Port Hub (w/AC adapter)

Storage & Back-up

HDD1232CZP41002	Toshiba 5GB Type II PC Card HDD w/Back-up software
PA3109U-1FDD	Toshiba USB Floppy Disk Drive Kit
UABS2-40.0	CMS ABSplus 40GB USB 2.0 Auto Backup Syst
UABS2-60.0	CMS ABSplus 60GB USB 2.0 Auto Backup Syst

Other

PA1370U-1ETC	Toshiba Keyboard Protector (Tecra/Satellite/Qosmio)
--------------	---

Return Policy

Notwithstanding anything to the contrary in any third party License Agreement or product documentation supplied with your PC, Toshiba America Information Systems, Inc. ("TAIS") does not accept the return of component parts, or bundled software, that have been removed from the PC system. Pro-rata refunds on individual PC components or bundled software, including the operating system, will not be granted. If you wish to return a complete PC system, contact the TAIS dealer where you purchased the product, and comply with the dealer's standard return policies and procedures.

Toshiba America Information Systems, Incorporated ("TAIS")

9740 Irvine Boulevard

Irvine CA 92618

ToshibaDirect website: <http://www.toshibadirect.com>

TAIS website for resellers: <http://sell.toshiba.com>

TAIS PC Support website: <http://pcsupport.toshiba.com>

Portégé, Satellite, Tecra, Slim SelectBay and SystemGuard are registered trademarks and ConfigFree is a trademark of Toshiba America Information Systems, Inc. and/or Toshiba Corporation. Intel, Celeron, Centrino, Intel Inside, Pentium, the Intel Centrino logo, and the Intel Inside logo are trademarks or registered trademarks of Intel Corporation or its subsidiaries in the United States and other countries. Microsoft and Windows are registered trademarks and OneNote is a trademark of Microsoft Corporation in the United States and/or other countries. Winstone® is a registered trademark and BatteryMark™ is a trademark of Ziff Davis Publishing Holdings Inc. in the U.S. and other countries. MobileMark™ is a trademark of the Business Applications Performance Corporation. Wi-Fi is a registered certification mark of the Wi-Fi Alliance. The Bluetooth word mark and logos are owned by the Bluetooth SIG, Inc. and any use of such marks by Toshiba is under license. NVIDIA and GeForce are registered trademarks or trademarks of NVIDIA Corporation in the United States and/or other countries. All other trademarks are the property of their respective owners.

¹Subject to Change

While Toshiba has made every effort at the time of publication to ensure the accuracy of the information provided herein, product specifications, configurations, prices, system/component/options availability are all subject to change without notice. For the most up-to-date product information about your computer, or to stay current with the various computer software or hardware options, visit Toshiba's Web site at <http://pcsupport.toshiba.com>. The product specifications and configuration information are designed for a product Series. Your particular model may not have all the features and specifications listed or illustrated. For more detailed information about the features and specifications on your particular model, please visit Toshiba's Web site at <http://pcsupport.toshiba.com>.

Certain notebook chassis are designed to accommodate all possible configurations for an entire product series. Your select model may not have all the features and specifications corresponding to all of the icons or switches shown on the notebook chassis, unless you have selected all those features.

²Hard Drive Capacity Disclaimer.

1 Gigabyte (GB) means $1000 \times 1000 \times 1000 = 1,000,000,000$ bytes using powers of 10. The computer operating system, however, reports storage capacity using powers of 2 for the definition of $1 \text{ GB} = 1024 \times 1024 \times 1024 = 1,073,741,824$ bytes, and therefore may show less storage capacity. Available storage capacity will also be less if the product includes pre-installed operating system and/or application software. Actual formatted capacity may vary.

³TFT Disclaimer.

Small bright dots may appear on your TFT display when you turn on your PC. Your display contains an extremely large number of thin-film transistors (TFT) and is manufactured using high-precision technology. Any small bright dots that may appear on your display are an intrinsic characteristic of the TFT manufacturing technology.

Over a period of time, and depending on the usage of the computer, the brightness of the LCD Screen will deteriorate. This is an intrinsic characteristic of LCD technology. Screen will dim when the computer is operated on battery power and you may not be able to increase the brightness of the screen.

⁴FCC Modem Speed Disclaimer.

Due to FCC limitations, speeds of 53 kbps are the maximum permissible transmission rates during download. Actual data transmission speeds will vary depending on line conditions.

Wireless or Connectivity Claims.

Wireless connectivity is subject to availability of access points. You might have to purchase additional software, hardware and/or services or pay for phone charges and air time, etc. to achieve the functionality as advertised.

⁵Weight Disclaimer

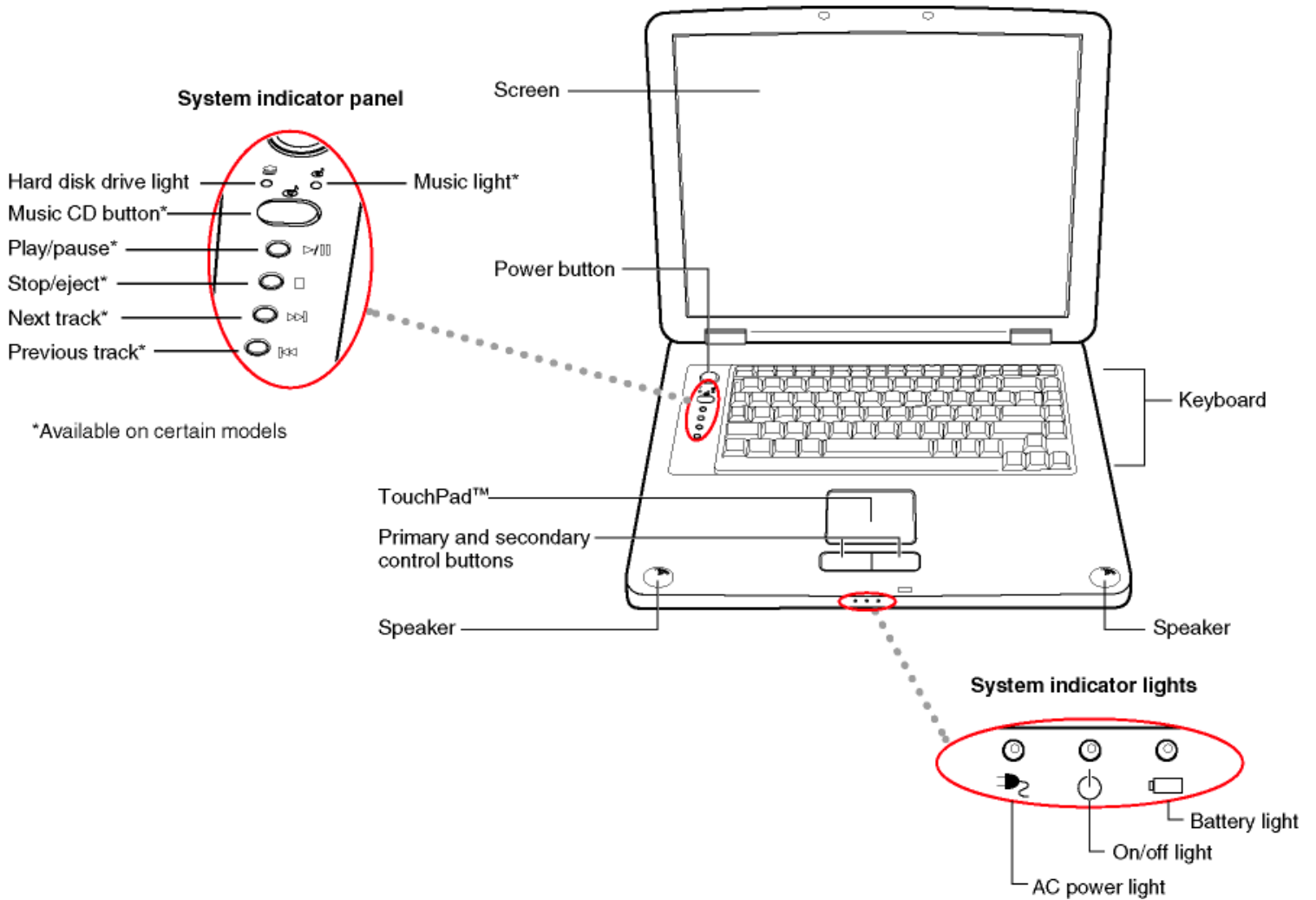
Weight may vary depending on product configuration, vendor components, manufacturing variability and options selected.

⁶BAPCo® MobileMark Battery Life Data Disclaimer

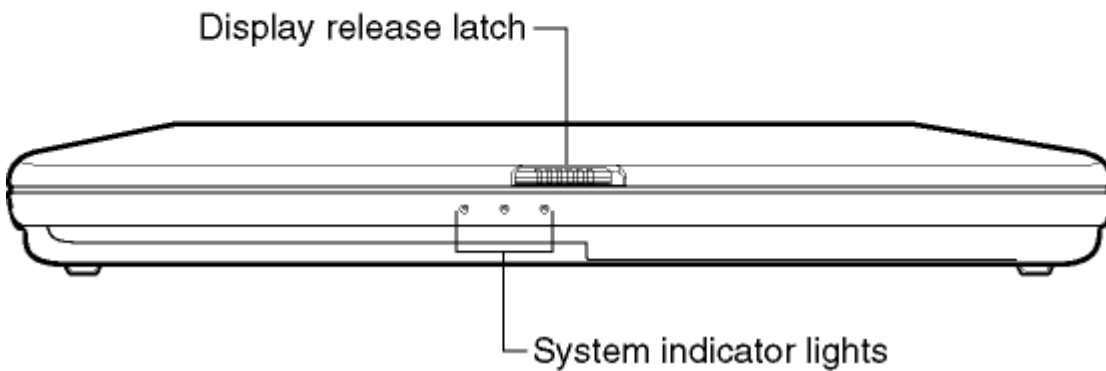
Battery life may vary depending on product model, configuration, applications, power management settings and features utilized. Recharge time varies depending on usage. Battery may not charge while computer is consuming full power. After a period of time, the battery will lose its ability to perform at maximum capacity and will need to be replaced. This is normal for all batteries. To purchase a new battery pack, see the accessories information that shipped with your computer or visit the Toshiba web site at accessoryfinder.toshiba.com

These models achieved the battery life times shown using Business Applications Performance Corporation ("BAPCo®") MobileMark™ 2002. BAPCo does not make any representations or warranties as to the results of the tests. MobileMark™ and BAPCo® are registered trademarks of Business Applications Performance Corporation in the U.S. and other countries. © Copyright 2004 BAPCo. All Rights Reserved.

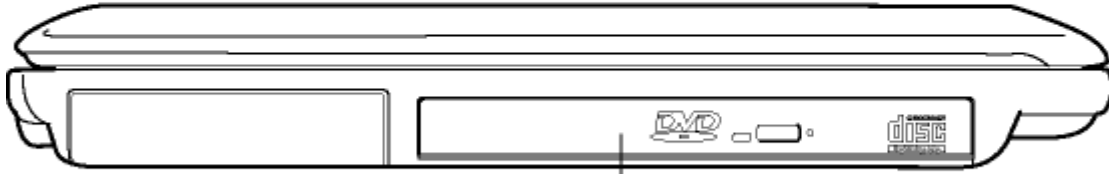
Front with display open



Front with display closed

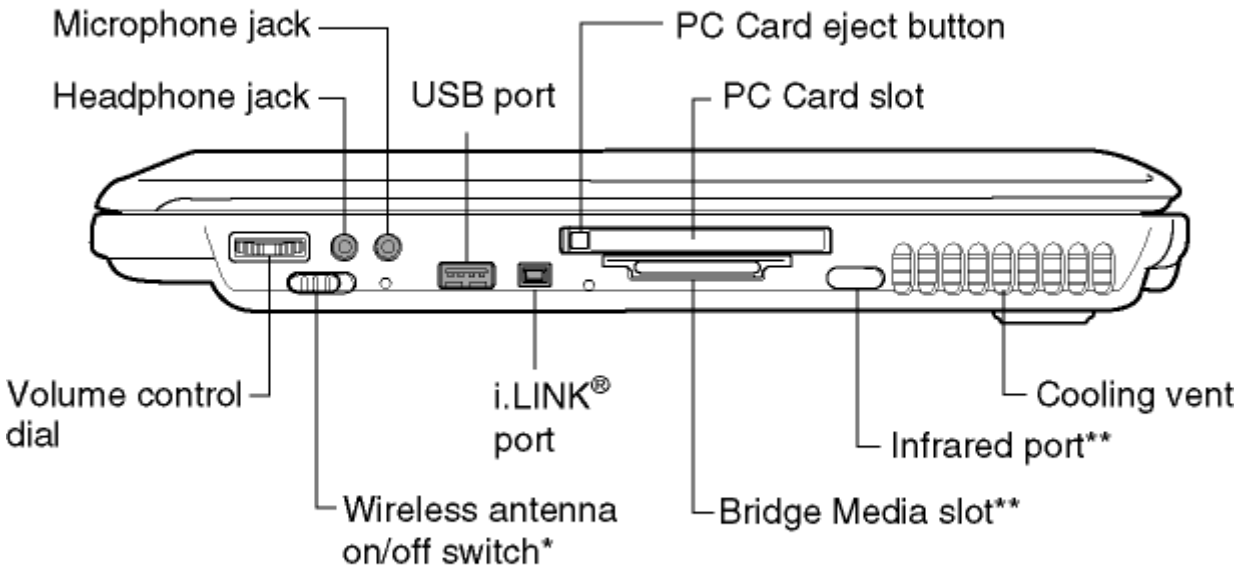


Left side



DVD-ROM or multi-function
sample drive shown

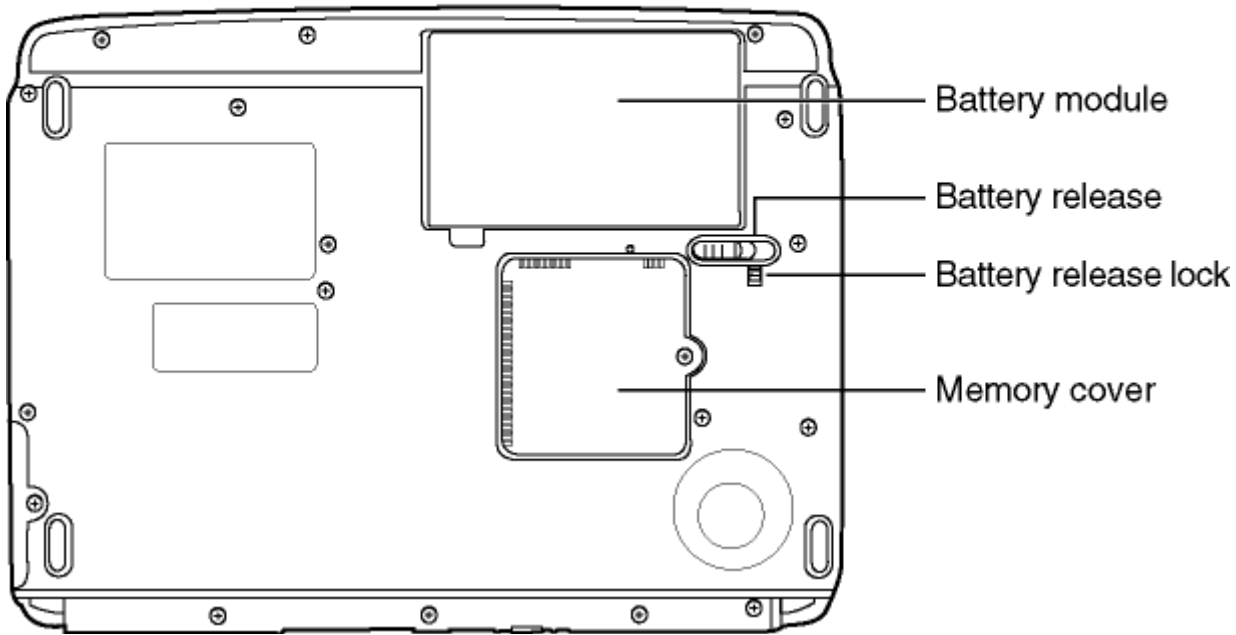
Right side



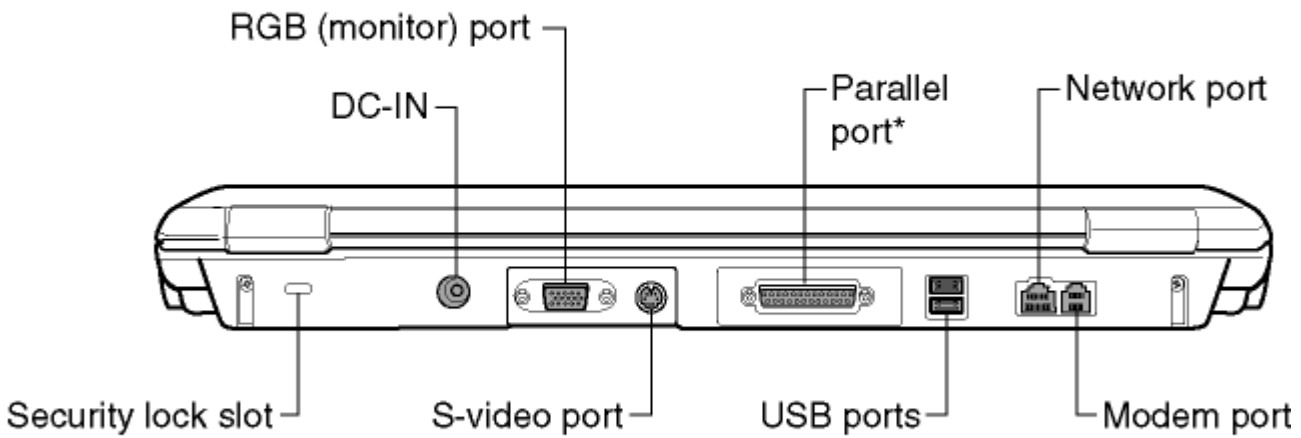
*Functional only on systems with wireless module installed.

**Available on certain models.

Underside



Back



*Available on certain models