

Satellite P105-S921 Detailed Product Specification¹

Model Name	Description	Part Number	UPC
P105-S921	Microsoft® Windows® XP Professional, Intel® Core™ Duo Processor T2400, 1024MB (2x512MB) DDR2 SDRAM, 160GB HDD (4200RPM), 17" WXGA TruBrite™, DVD SuperMulti Double Layer, 802.11 a/b/g, NVIDIA® GeForce® Go 7900 GS 256MB GDDR3 SDRAM VRAM, Express Media Player, Dual Mode Pad, S/P DIF, DVI-D	PSPA6U-01200P	032017539655

Operating System²

- Microsoft® Windows® XP Professional
- TOSHIBA Express Media Player
 - Quick access for CD and DVD watching

Processor and Chipset³

Intel® Centrino® Duo Mobile Technology featuring:

- Intel Core™ Duo Processor T2400
 - 1.83GHz, 2MB L2, 667MHz FSB
- Mobile Intel 945GM Express Chipset
- Intel PRO/Wireless 3945ABG (802.11a/b/g)

Memory⁴

- Configured with 1024MB DDR2 SDRAM (using two memory modules in dual-channel configuration)
- 256MB(min)/4096MB (max), 2 memory slots using 256MB, 512MB, or 2048MB PC5300 DDR2 667MHz SDRAM, dual-channel support requires two memory modules of same capacity and clockspeed

Hard Disk Drive⁵

- 160GB (4200 rpm) Serial-ATA (SATA) hard disk drive; 12.5mm height

Fixed Optical Disk Drive⁶

- DVD SuperMulti (+/-R double layer) drive supporting 11 formats
 - Maximum speed and compatibility: CD-ROM (24x:read), CD-R (24x:write), CD-RW (10x:write), DVD-ROM (8x:read), DVD-R (Single Layer, 8x:write), DVD-R (Double Layer, 2x: write), DVD-RW (4x:write), DVD+R (Single Layer, 8x:write), DVD+R (Double Layer, 2.4x:write), DVD+RW (4x:write), DVD-RAM (5x:write)

Display⁷

- 17.0" diagonal widescreen TruBrite™ TFT active-matrix LCD display at 1440x900 native resolution (WXGA)

Graphics⁸

- PCI-Express™ x16 graphics subsystem, featuring:
- NVIDIA® GeForce® Go 7900 GS with 256MB GDDR3 discrete graphics memory

Sound

- Built-in harman/kardon® stereo speakers
- SRS Labs audio enhancements⁹
 - SRS TruSurround XT® virtual surround sound
 - SRS WOW™ stereo enhancement
- 16-bit stereo software sound
 - Supports 3D Sound, Direct 3D Sound, DirectSound, Direct Music, MIDI (playback), Intel® High Definition Audio
- Sound Volume Control Dial

Input Devices

- Keyboard
 - 103 key US keyboard with 10-key
 - Hot Key Functions (Fn)
 - Windows Key Function
 - Application Key Function
- Dual Mode Pad pointing device
- Control Buttons:
 - Internet button to launch default browser
 - Express Media Player CD/DVD launch button
 - CD/DVD control buttons (Skip to Previous/Next Track, Play, Stop)
- Express Media Player Remote Control

Communications

- Toshiba V.92 software modem¹⁰
- Intel PRO/1000 VE Network Connection - 10/100/1000 Base-TX Ethernet
- Integrated Intel Pro/Wireless Network Connection 3945ABG (802.11a/b/g)¹¹
- Consumer Infrared for remote control

Expandability

- 2 main memory slots. Both slots may be occupied.
- 1 PC Card slot support 1 Type II, PCMCIA R2.01, PC Card16, CardBus
- ExpressCard slot supporting ExpressCard/34 and ExpressCard/54
- 5-in-1 Bridge Media Adapter
 - Secure Digital, Memory Stick™, Memory Stick PRO™, Multi Media Card, xD Picture Card [shared slots]

Ports

- Video
 - RGB (monitor) output port
 - S-Video output port
 - DVI-D output port
- Audio
 - S/P DIF output port (shared with headphone port)
 - Microphone input port
 - Headphone output port
- Data
 - i.LINK(tm) IEEE-1394
 - Universal Serial Bus (USB v2.0) – 4 ports
 - RJ-45 LAN port
 - RJ-11 modem port

Physical Description for this Product Series

- Dimensions (WxDxH Front/H Rear): 15.5" (394mm) x 10.8" (275mm) x 1.41" (35.9mm)[F]/1.65" (41.9mm)[R] without feet
- Weight: Starting at 7.1 lbs (3.2 kg) depending upon configuration¹²
- Indicators: Power, DC-IN, Primary HDD Access, ODD Access, Caps Lock, Arrow Mode, Numeric Mode, Main battery charging status, Sleep/Suspend Status, Wireless Communications
- Chassis Description
 - Case material: Polycarbonate ABS
 - LCD Cover Color: Mist Gray

- Physical Security
 - Slot for cable lock
 - Items protected by a screw: Memory, Main HDD
 - Fingerprint Reader (includes software for password and identity management)
- Software Security
 - Passwords: User power-on password, supervisor password, HDD password
 - Hotkey locks: Screen Blank

Power Supply

- 120W (15V x 8A) Auto sensing external AC Adapter, 100-240V / 50-60Hz frequency (Universal) input.
- Dimensions (WxDxH): 5.9" (150mm) x 2.6" (65mm) x 1.2" (30.5mm)
- Weight: starting at 1.4 lbs (650g)

Battery¹³

- 9-cell (6000mAh) rechargeable, removable Lithium Ion (Li-Ion) battery pack
- Battery Life (measured by MobileMark™)¹⁴
 - Included 9-cell battery: 2 hours, 00 minutes
- Recharge Time
 - Main Battery Off/On – approximately 4.0 hrs/approximately 12.0 hrs

BIOS

- ACPI v1.0b, PNP v1.0a, VESA v2.0, DPMS v1.0, DDC v1.0, SM BIOS v2.4, PCI BIOS v2.2 support

Software¹⁵

- Toshiba Software and Utilities
 - TOSHIBA ConfigFree®
 - TOSHIBA Custom Utilities
 - Electronic User's Guide
- Third-party Software
 - Microsoft Office® OneNote® 2003
 - Microsoft Works® Version 8.5
 - Sun® Java™ 2 Runtime Environment
 - Adobe® Acrobat® Reader 7.0
 - InterVideo® WinDVD® 5
 - InterVideo® WinDVD Creator 2 Platinum
 - Sonic Solutions® PrimeTime™
 - Sonic Solutions® RecordNow!™ Basic for Toshiba
 - Sonic Solutions® Drive Letter Access™ (DLA)
 - Microsoft® Windows Media Player version 10
 - Yahoo! Music Engine
- Trial Software
 - Microsoft Office® Student Teacher Edition (30-day trial)
 - McAfee® VirusScan® (30-day trial)
 - McAfee® antiSpyware (30-day trial)
 - McAfee® Personal Firewall Plus (30-day trial)
 - McAfee® SpamKiller® (30-day trial)
 - AOL® Internet Service (90-day trial)¹⁶

Environmental Specifications

	Operating	Non-operating
Temperature ¹⁷	5° to 35° C (41° to 95° F)	-20° to 65° C (-4° to 149° F)
Thermal Gradient	15° C per hour (max)	20° C per hour (max)
Relative Humidity (non-condensing)	20% to 80%	10% to 95%
Altitude (relative to sea level)	0 to 3,000 meters	-60 to 10,000 meters
Shock	10G	60G
Vibration	0.5G	1.0G

SATELLITE – 1 YEAR STANDARD LIMITED WARRANTY¹⁸

Service Upgrades and Extensions

Toshiba offers many different enhanced services such as SystemGuard®, At-Home Repair, and Service Express to provide additional support to your notebook PC. For a full description and complete list of programs and program extensions, please visit www.pcsupport.toshiba.com

Recommended Services

Extended Service Plan

Extends the standard limited warranty for up to 3 years from the original notebook purchase date.

Part Number	Description
WSN-PEQQ2V	2nd Year Extended Service Plan
WSN-PEQQ3V	2nd/3rd Year Extended Service Plan

SystemGuard Accidental Damage Service w/ ServiceExpress¹⁹

Provides advanced protection from damage caused from handling. Select your express repair service with either Depot Express or Carry-In Express and go to the front of the line. Extended Service Plan included except with 1 Year plan. SystemGuard coverage must be purchased within the first 30 days of notebook purchase.

Part Number	Description
WSN-PSGQ1V	1st Year
WSN-PEGQ2V	1st/2nd Year + Extended Service Plan
WSN-PEGQ3V	1st/2nd/3rd Year + Extended Service Plan

SystemGuard Accidental Damage Service + At-Home Repair²⁰

Combines SystemGuard and At-Home Repair coverage. Extended Service Plan included except with 1 Year plan. SystemGuard coverage must be purchased within the first 30 days of purchase.

Part Number	Description
WSN-PSGH1V	1st Year
WSN-PEGH2V	1st/2nd Year + Extended Service Plan
WSN-PEGH3V	1st/2nd/3rd Year + Extended Service Plan

ServiceExpress

Select your express repair service with either Depot Express or Carry-In Express. Depot Express: Your notebook will be repaired and returned via overnight shipment (excluding weekends and holidays). Carry-In Express: Take your notebook into a Premier ASP and go to the front of the line for expedited repair service. Extended Service Plan included except with 1 Year plan.

Part Number	Description
WSN-PSQP1V	1st Year
WSN-PEQP2V	1st/2nd Year + Extended Service Plan
WSN-PEQP3V	1st/2nd/3rd Year + Extended Service Plan

At-Home Repair

On-site service will be provided at customer's home location (excluding weekends and holidays) to perform the necessary hardware repairs. Extended Service Plan included except with 1 Year plan.

Part Number	Description
WSN-PSQH1V	1st Year
WSN-PEQH2V	1st/2nd Year + Extended Service Plan
WSN-PEQH3V	1st/2nd/3rd Year + Extended Service Plan

Accessories

For memory compatibility and the most updated accessories, please visit www.accessories.toshiba.com

Memory

Part Number	Description
PA3411U-2M1G	Toshiba 1GB DDR2-533 Memory Kit, RoHS
PA3412U-2M51	Toshiba 512MB DDR2-533 Memory Kit, RoHS

Power

Part Number	Description
PA3507U-1ACA	Toshiba 120W Global AC Adapter, 15V/8A RoHS
PA3480U-1BRS	Toshiba Primary Li ION Battery Pack (9 cell-6000mAh), RoHS

Security & Protection

Part Number	Description
PA410U	Targus DEFCON CL Cable Lock

Storage

Part Number	Description
PA3109U-3FDD	Toshiba USB Floppy Disk Drive Kit, ROHS

PA1399U-1MEM	Toshiba 1GB USB Hi-Speed Flash Drive
--------------	--------------------------------------

Wireless/Bluetooth

Part Number	Description
PA3455U-1BTM	Toshiba USB Adapter with Bluetooth 2.0+EDR capability

Subject to Change

While Toshiba has made every effort at the time of publication to ensure the accuracy of the information provided herein, product specifications, configurations, prices, system/component/options availability are all subject to change without notice. For the most up-to-date product information about your computer, or to stay current with the various computer software or hardware options, visit Toshiba's Web site at <http://www.pcsupport.toshiba.com>

Return Policy

Notwithstanding anything to the contrary in any third party License Agreement or product documentation supplied with your PC, Toshiba America Information Systems, Inc. ("TAIS") does not accept the return of component parts, or bundled software, that have been removed from the PC system. Pro-rata refunds on individual PC components or bundled software, including the operating system, will not be granted. If you wish to return a complete PC system, contact the TAIS dealer where you purchased the product, and comply with the dealer's standard return policies and procedures.

Toshiba America Information Systems, Incorporated ("TAIS")
 9740 Irvine Boulevard
 Irvine CA 92618
 ToshibaDirect website: <http://www.toshibadirect.com>
 TAIS website for resellers: <http://sell.toshiba.com>
 TAIS PC Support website: <http://pcsupport.toshiba.com>

Portégé, Satellite, Tecra, SelectBay, ConfigFree and SystemGuard are registered trademarks and Qosmio and EasyGuard are trademarks of Toshiba America Information Systems, Inc. and/or Toshiba Corporation. Intel, Celeron, Centrino, Intel Inside, Pentium, the Intel Centrino logo, and the Intel Inside logo are trademarks or registered trademarks of Intel Corporation or its subsidiaries in the United States and other countries. Microsoft and Windows are registered trademarks and OneNote registered is a trademark of Microsoft Corporation in the United States and/or other countries. Winstone® is a registered trademark and BatteryMark™ is a trademark of Ziff Davis Publishing Holdings Inc. in the U.S. and other countries. MobileMark™ is a trademark of the Business Applications Performance Corporation. Wi-Fi is a registered certification mark of the Wi-Fi Alliance. The Bluetooth word mark and logos are owned by the Bluetooth SIG, Inc. and any use of such marks by Toshiba is under license. NVIDIA and GeForce are registered trademarks or trademarks of NVIDIA Corporation in the United States and/or other countries. All other trademarks are the property of their respective owners.

¹ **Product Series Legal Footnote.** The product specifications and configuration information are designed for a product Series. Your particular model may not have all the features and specifications listed or illustrated. For more detailed information about the features and specifications on your particular model, please visit Toshiba's Web site at pcsupport.toshiba.com.

Product Offering Legal Footnote. Toshiba America Information Systems, Inc. reserves the right to modify or withdraw this offer at anytime without notice.

² **Operating System.** Certain Microsoft® software product(s) included with this computer may use technological measures for copy protection. IN SUCH EVENT, YOU WILL NOT BE ABLE TO USE THE PRODUCT IF YOU DO NOT FULLY COMPLY WITH THE PRODUCT ACTIVATION PROCEDURES. Product activation procedures and Microsoft's privacy policy will be detailed during initial launch of the product, or upon certain reinstallations of the software product(s) or reconfigurations of the computer, and may be completed by Internet or telephone (toll charges may apply).

Some software may differ from its retail version (if available), and may not include user manuals or all program functionality.

Offers. Offer terms, duration and product availability all subject to change without notice

³ **Processor (Central Processing Unit).**

CPU performance in your computer product may vary from specifications under the following conditions:

1. use of certain external peripheral products
2. use of battery power instead of AC power
3. use of certain multimedia, computer generated graphics or video applications
4. use of standard telephone lines or low speed network connections
5. use of complex modeling software, such as high end computer aided design applications
6. use of several applications or functionalities simultaneously
7. use of computer in areas with low air pressure (high altitude >1,000 meters or >3,280 feet above sea level)
8. use of computer at temperatures outside the range of 5°C to 30°C (41°F to 86° F) or >25°C (77°F) at high altitude (all temperature references are approximate and may vary depending on the specific computer model – please visit the Toshiba website at www.pcsupport.toshiba.com for details).

CPU performance may also vary from specifications due to design configuration.

Under some conditions, your computer product may automatically shut-down. This is a normal protective feature designed to reduce the risk of lost data or damage to the product when used outside recommended conditions. To avoid risk of lost data, always make back-up copies of data by periodically storing it on an external storage medium. Use your computer product only under recommended conditions. Read additional restrictions under "Environmental Conditions" in your product "Detailed Specs." Contact Toshiba Technical Service and Support for more information.

⁴ **Memory (Main System).** Part of the main system memory may be used by the graphics system for graphics performance and therefore reduce the amount of main system memory available for other computing activities. The amount of main system memory allocated to support graphics may vary depending on the graphics system, applications utilized, system memory size and other factors. For PC's configured with 4 GB of system memory, the full system memory space for computing activities will be considerably less and will vary by model and system configuration.

⁵ **Hard Disk Drive (HDD) Capacity.**

1 Gigabyte (GB) means $10^9 = 1,000,000,000$ bytes using powers of 10. The computer operating system, however, reports storage capacity using powers of 2 for the definition of $1 \text{ GB} = 2^{30} = 1,073,741,824$ bytes, and therefore shows less storage capacity. Available storage capacity will also be less if the product includes one or more pre-installed operating systems, such as Microsoft Operating System and/or pre-installed software applications, or media content. Actual formatted capacity may vary.

⁶ **Optical Drive.** Due to manufacturing and quality variations in third party optical media (e.g., CD or DVD) or optical media players/recorders, in certain cases, your Toshiba optical drive may not record on certain optical media that bear the applicable logo, or playback optical media recorded by other PCs or optical media recorders. Additionally, certain optical media recorded on your optical drive may not playback or operate properly on other PCs or optical media players. These problems are not due to any defect in your Toshiba PC or optical drive. Please refer to your PC's product specification for listing of specific format compatibilities.

Copy protection technology may also prevent or limit recording or viewing of certain optical media.

⁷ **Display.** Small bright dots may appear on your screen display when you turn on your PC. Your display contains an extremely large number of thin-film transistors (TFT) and is manufactured using high-precision technology. Any small bright dots that may appear on your display are an intrinsic characteristic of the TFT manufacturing technology. Over a period of time, and depending on the usage of the computer, the brightness of the screen will deteriorate. This is also an intrinsic characteristic of the screen technology.

When the computer is operated on battery power, the screen with dim and you may not be able to increase the brightness of the screen while on battery power.

⁸ **Graphics (Graphics Processing Unit).**

GPU performance may vary depending on product model, design configuration, applications, power management settings and features utilized. GPU performance is only optimized when operating in AC power mode and may decrease considerably when operating in battery power mode.

⁹ **SRS Audio Enhancements:**

SRS TruSurround XT is available in the Microsoft® Windows® operating system only

¹⁰ **Modem Speed.** Due to FCC limitations, speeds of 53 kbps are the maximum permissible transmission rates during download. Actual data transmission speeds will vary depending on line conditions.

¹¹ **Wireless.** Wireless connectivity and some features may require you to purchase additional software, external hardware or services. Availability of public wireless LAN access points may be limited. The transmission speed over the wireless LAN and the distance over which wireless LAN can reach may vary depending on surrounding electromagnetic environment, obstacles, access point design and configuration, and client design and software/hardware configurations. The actual transmission speed will be lower than the theoretical maximum speed. To use the Atheros SuperAG™ or SuperG™ wireless function, if available, your client and access point must support the corresponding feature. Performance of these functions may vary depending on the format of data transmitted.

¹² **Weight.** Weight may vary depending on product configuration, vendor components, manufacturing variability and options selected.

¹³ **Battery Life.** Battery life may vary considerably from specifications depending on product model, configuration, applications, power management settings and features utilized, as well as the natural performance variations produced by the design of individual components. Published battery life numbers are achieved on select models and configurations tested by Toshiba at the time of publication. See "Detailed Specs" for specific battery measurement test. Recharge time varies depending on usage. Battery may not charge while computer is consuming full power. After a period of time, the battery will lose its ability to perform at maximum capacity and will need to be replaced. This is normal for all batteries. To purchase a new battery pack, see the accessories information that shipped with your computer or visit the Toshiba web site at www.accessories.toshiba.com.

The Express Media Player is not a Windows based application. Battery life will be less than when using similar applications in the Windows Operating System

¹⁴ **Battery Life - MobileMark™.** Measured by MobileMark. MobileMark is a trademark of the Business Applications Performance Corporation.

¹⁵ **Software.** Some software may differ from its retail version (if available), and may not include user manuals or all program functionality.

Certain Microsoft® software product(s) included with this computer may use technological measures for copy protection. IN SUCH EVENT, YOU WILL NOT BE ABLE TO USE THE PRODUCT IF YOU DO NOT FULLY COMPLY WITH THE PRODUCT ACTIVATION PROCEDURES. Product activation procedures and Microsoft's privacy policy will be detailed during initial launch of the product, or upon certain reinstallations of the software product(s) or reconfigurations of the computer, and may be completed by Internet or telephone (toll charges may apply).

¹⁶ **AOL® Internet Service.** Availability may be limited, especially during peak times. TO AVOID BEING CHARGED A MONTHLY MEMBERSHIP FEE, SIMPLY CANCEL BEFORE THE THREE-MONTH PROMOTIONAL PERIOD ENDS. Premium services carry surcharges and communication surcharges may apply, including AK, even during promotional period. Members may incur telephone charges on their phone bill, depending on their location and calling plan, even during promotional period. Available to new AOL members in the United States, age 18 or older; a major credit card or checking account is required.

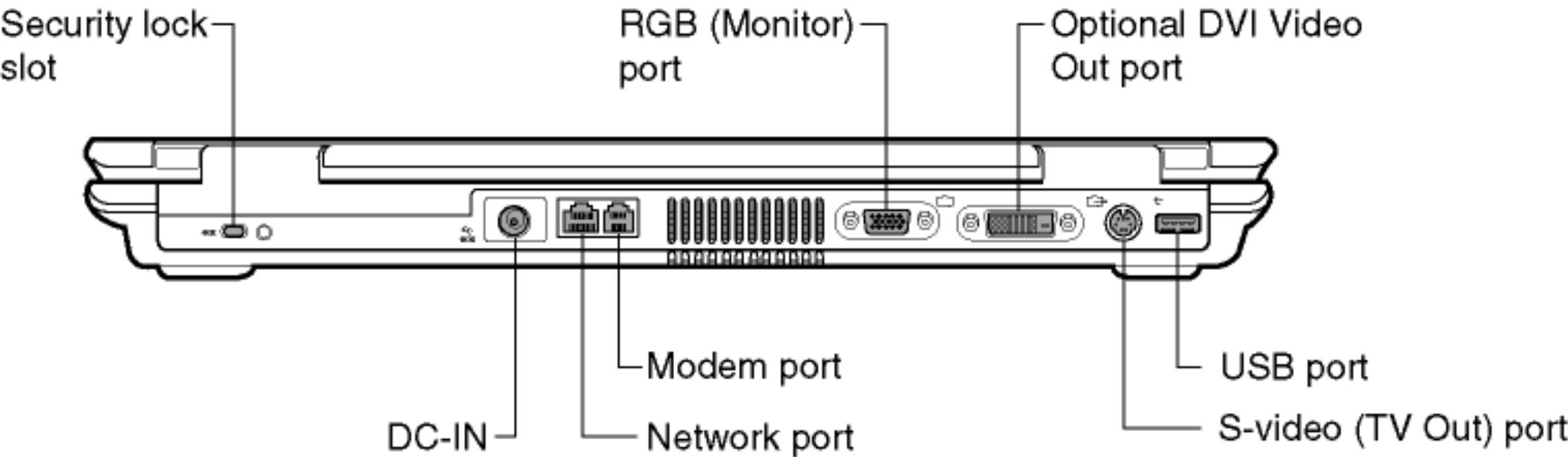
¹⁷ **Temperature (Environmental) Conditions.** All temperature references are approximate and the performance of your computer may vary from specifications even when operating within the recommended temperature range.

¹⁸ **Warranty:** Toshiba's standard limited warranty terms and conditions are available at www.warranty.toshiba.com.

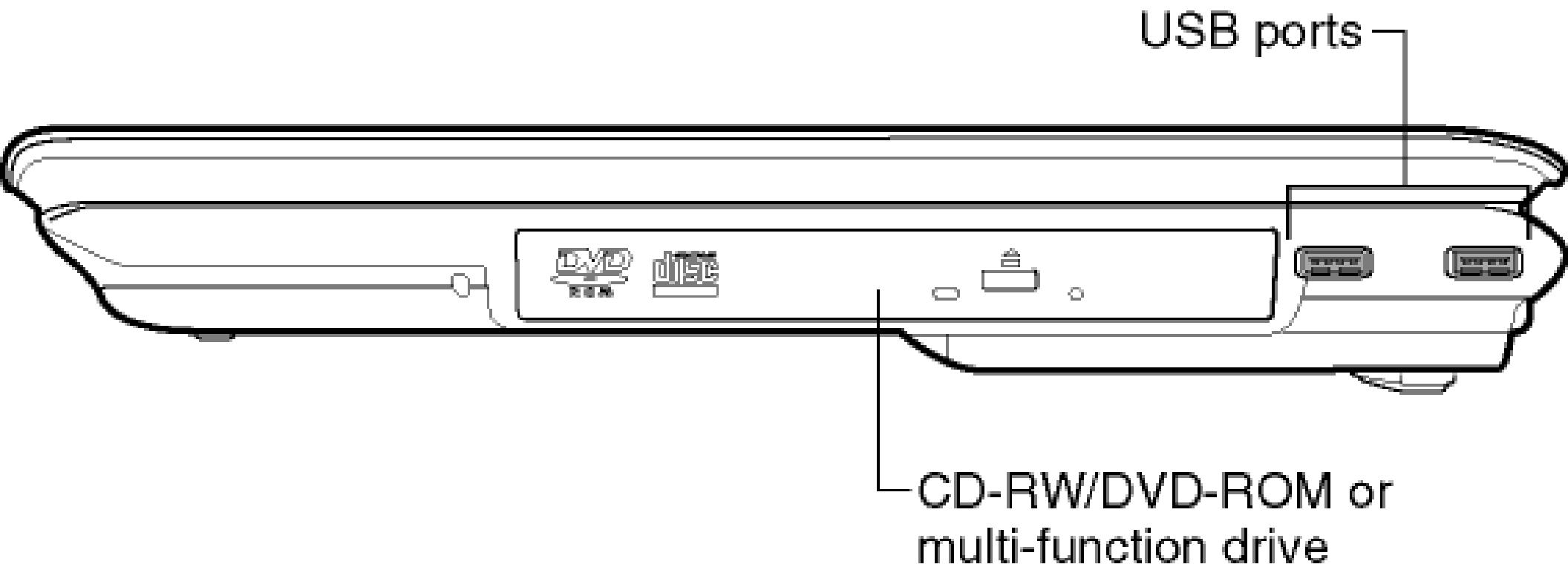
¹⁹ **SystemGuard:** SystemGuard coverage must be purchased within the first 30 days of notebook purchase. See Toshiba Service Plan Agreement for program terms and conditions at www.pcsupport.toshiba.com.

²⁰ **SystemGuard:** SystemGuard coverage must be purchased within the first 30 days of notebook purchase. See Toshiba Service Plan Agreement for program terms and conditions at www.pcsupport.toshiba.com.

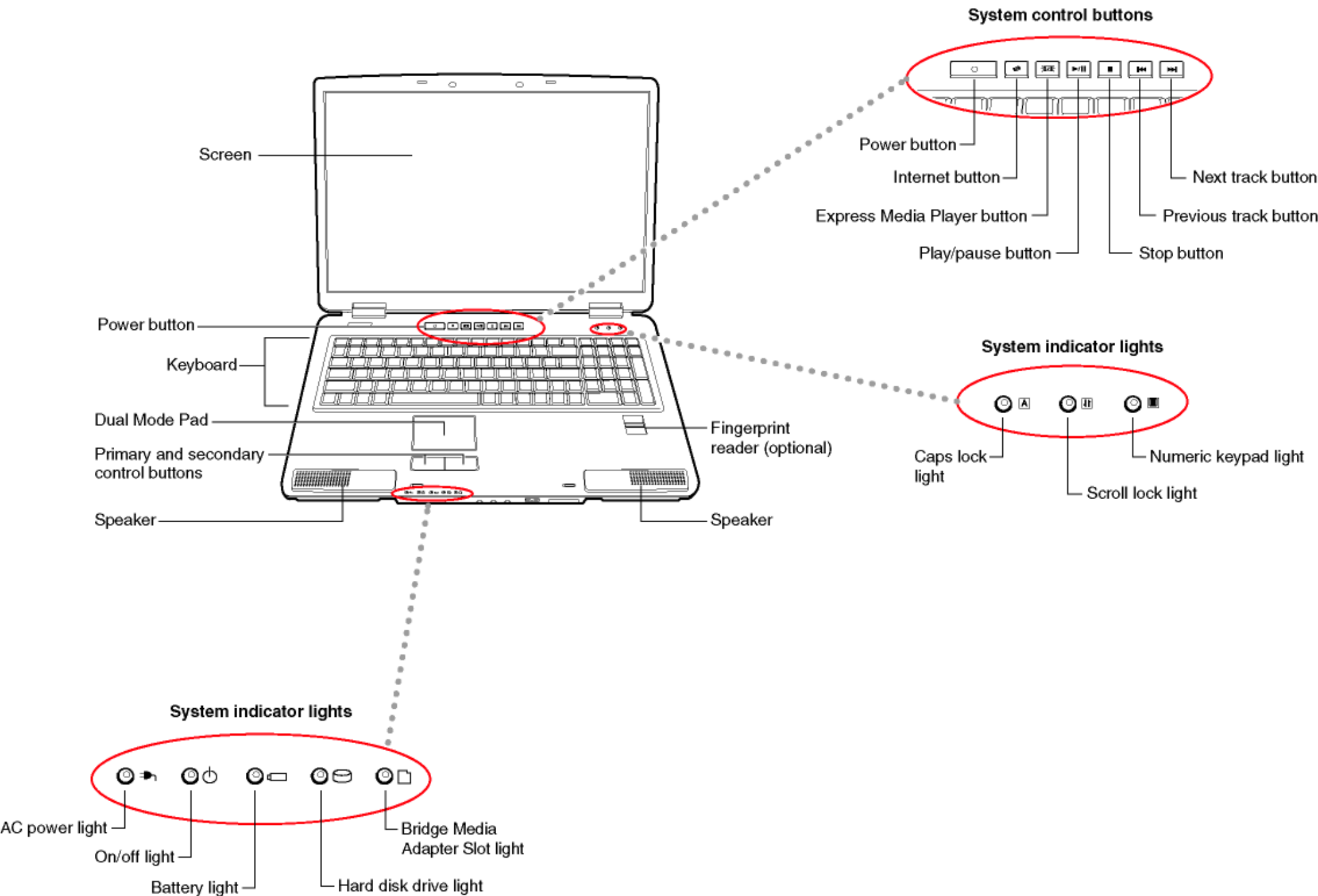
Back



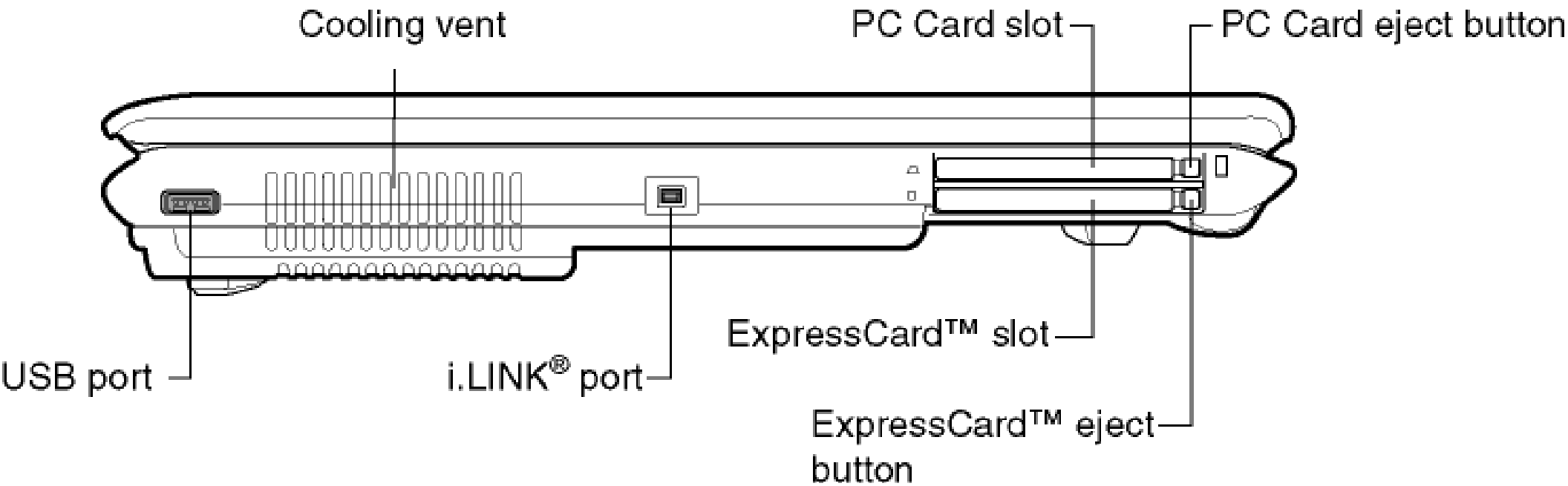
Right side



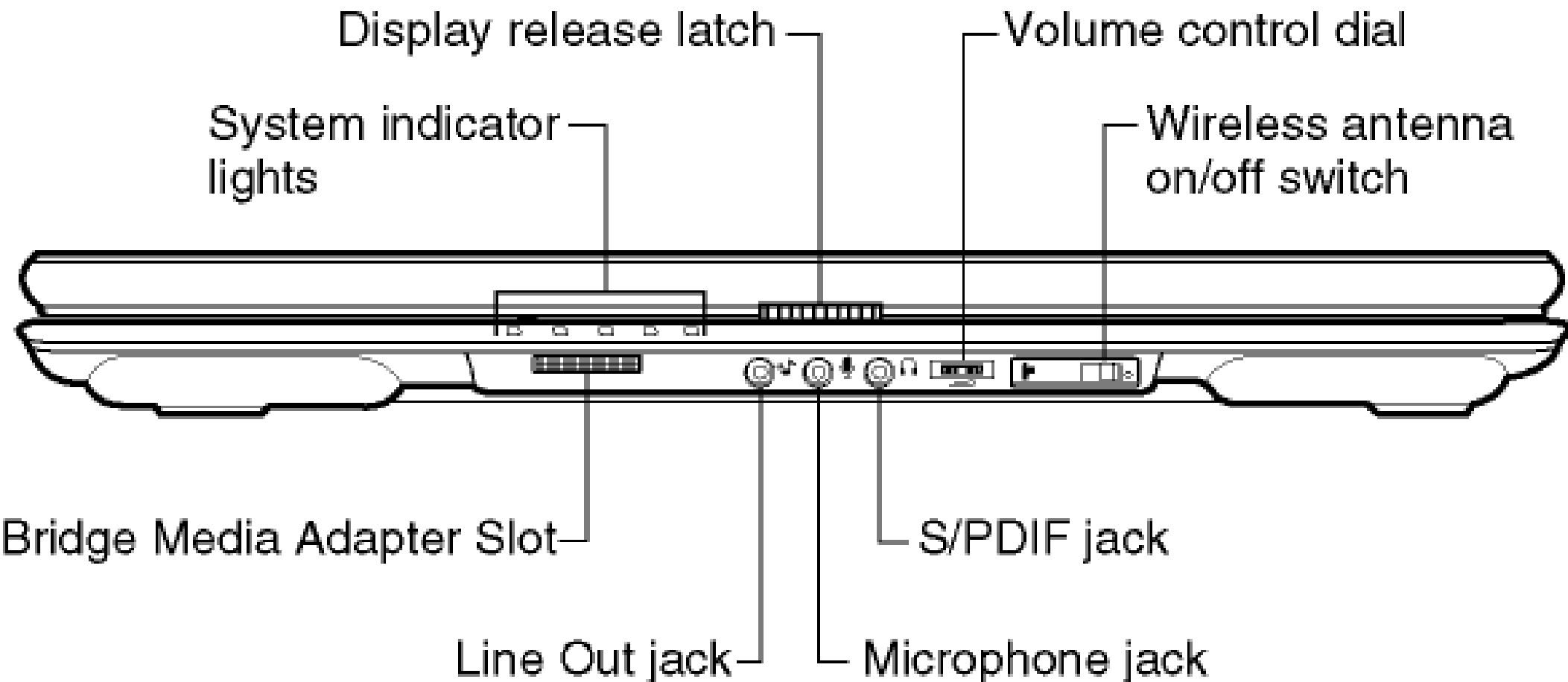
Front with display open



Left side



Front with display closed



Underside

