

## TECRA M4-ST1112 Series Detailed Product Specification<sup>1</sup>

| Model Name | Description   | Part Number   | UPC          |
|------------|---|---------------|--------------|
| M4-ST1112  | Microsoft® Windows® XP Tablet Edition 2005, Intel® Pentium® M 740, 256MB DDR2, 40GB (SATA), CD-RW/DVD-ROM, 14.1" SXGA+, nVIDIA® GeForce™ Go 6600 TE 128M (128MB), 6-cell battery, Bluetooth Antenna, Intel PRO/Wireless 2200BG (802.11b/g), Gigabit Ethernet, TPM, 1-year standard limited warranty | PTM42U-08U015 | 032017586369 |

### Operating System<sup>2</sup>

- Microsoft® Windows® XP Tablet Edition 2005

### Processor and Chipset<sup>3</sup>

#### Intel® Centrino® Mobile Technology featuring:

- Choice of processors:
  - Intel Pentium® M Processor 740
    - 1.73GHz, 2MB L2, 533MHz FSB
  - Intel Pentium® M Processor 750
    - 1.86GHz, 2MB L2, 533MHz FSB
  - Intel Pentium® M Processor 760
    - 2.00GHz, 2MB L2, 533MHz FSB
  - Intel Pentium® M Processor 770
    - 2.13GHz, 2MB L2, 533MHz FSB
  - Intel Pentium® M Processor 780
    - 2.26GHz, 2MB L2, 533MHz FSB
- Chipset
  - Mobile Intel® 915PM Express Chipset
- Integrated Wi-Fi® compliant wireless LAN
  - Intel® PRO/Wireless 2200BG (802.11b/g),

### Memory<sup>4</sup>

- Configured with 256MB DDR2 SDRAM (using one memory module, one memory expansion slot open)
- 256MB (min)/2048MB (max), 2 memory slots using 256MB, 512MB, or 1024MB PC4200 DDR2 533MHz SDRAM, dual-channel support requires two memory modules of same capacity and clockspeed

### Hard Disk Drive<sup>5</sup>

- Choice of: 40GB, 60GB, 80GB, 100GB (5400RPM) or 60GB, 80GB (7200RPM); Serial-ATA (SATA) hard disk drive; 9.5mm height; user removable

### Slim SelectBay Optical Disk Drive<sup>6</sup>

- CD-RW/DVD-ROM
  - Maximum speed and compatibility: CD-ROM (24x:read), CD-R (24x:write), CD-RW (24x:write), DVD-ROM (8x:read)
- DVD SuperMulti (+R double layer) drive supporting 10 formats
  - Maximum speed and compatibility: CD-ROM (24x:read), CD-R (24x:write), CD-RW (10x:write), DVD-ROM (8x:read), DVD-R (8x:write), DVD-RW (4x:write), DVD+R (Single Layer, 8x: write), DVD+R (Double Layer, 2.4x:write), DVD+RW (4x:write), DVD-RAM (3x:write)

### Display<sup>7</sup>

- 14.1" diagonal TFT active-matrix LCD display at 1400x1050 native resolution (SXGA+)

### Graphics<sup>8</sup>

- PCI-Express™ x16 graphics subsystem, featuring:
  - NVIDIA® GeForce™ Go 6600 TE with 128MB DDR discrete graphics memory

### Sound

- Built-in stereo speakers
- Built-in monaural speaker
- Analog Devices AD1981B 16-bit stereo software sound
  - Supports Direct 3D Sound, DirectSound, Direct Music, MIDI (playback)
- Sound Volume Control Dial
- Built-in microphone

### Input Devices

- Keyboard
  - 85 key US keyboard
  - Hot Key Functions (Fn)
  - Windows Key Function
  - Application Key Function
- Toshiba Accupoint® and TouchPad™ dual pointing device
- TouchPad™ Enable/Disable (FN+F9 or by help of software)
- Toshiba Digitizer Tablet Pen
- Control Buttons:
  - Toshiba Presentation button to quickly connect to projectors
  - Windows Security Button
  - Cross Functional Button
  - ESC/Display Rotation Button

### Communications

- Toshiba V.92 software modem<sup>9</sup>
- Marvell Yukon 10/100/1000 Base-TX Ethernet
- Choice of Wireless-LAN:<sup>10</sup>
  - Integrated Intel® PRO/Wireless Network Connection 2200BG (802.11b/g)
  - Integrated Intel® PRO/Wireless Network Connection 2915ABG (802.11a/b/g)
- Optional Bluetooth® version 2.0 plus Enhanced Data Rate (EDR) with Toshiba Bluetooth driver software
- Fast Infrared (4Mbps) port for FIR

### Expandability

- 2 main memory slots. Both slots may be occupied.
- 1 PC Card slot support 1 Type II, PCMCIA R2.01, PC Card16, CardBus
- Secure Digital slot (supports SDIO)

### Ports

- Video
  - RGB (monitor) output port
  - S-Video output port
- Audio
  - Microphone input port
  - Headphone output port
- Data
  - i.LINK™ IEEE-1394
  - Universal Serial Bus (USB v2.0) – 3 ports
  - RJ-45 LAN port
  - RJ-11 modem port
  - 240-pin docking connector

## Physical Description for this Product Series

- Dimensions (WxDxH Front/H Rear): 12.91" (289.7mm) x 11.41" (328mm) x 1.45" (36.9mm)[F]/1.51" (38.4mm)[R] without feet
- Weight: Starting at 6.2 lbs (2.80 kg) depending upon configuration<sup>11</sup>
- Indicators:
- Chassis Description
  - Case material: Magnesium Alloy and Polycarbonate ABS Plastic
  - LCD Cover Color: Premium Silver
- Physical Security
  - Slot for cable lock;
  - Items protected by a screw: Memory, Main HDD, Slim SelectBay Device
- Software Security
  - Passwords: User power-on password, supervisor password, Toshiba Device Lock Utility
  - Hotkey locks: Screen Blank

## Power Supply

- 75W (15V x 5A) Auto sensing external AC Adapter, 100~240V 50/60Hz (Universal) input.
- Dimensions (WxDxH): 5.00" (127.0mm) x 2.01" (51.0mm) x 1.20" (30.5mm)
- Weight: starting at 1.1 lbs (xxx g)

## Battery<sup>12</sup>

- 6-cell (4700 mAh) rechargeable, removable Lithium Ion (Li-Ion) battery pack
- Dimensions (WxDxH): 4.93" (125.10mm) x 2.68" (68.1mm) x 0.80" (20.4mm)
- Weight: starting at 0.75 lbs (338 g)
- Battery Life (measured by MobileMark™)<sup>13</sup>
  - Included 6-cell battery: 3 hours, 22minutes
  - Optional SlimSelectBay battery:
    - 6 hours, 09 minutes with 6-cell primary
- Recharge Time
  - Main Battery Off/On – approximately 3.0 hrs/approximately 4.0 to 12.0 hrs

## Toshiba EasyGuard™<sup>14</sup>

- Protect & Fix
  - Shock Absorbing Design<sup>15</sup>
    - LCD Panel Shock Absorber
    - LCD Inverter Shock Absorber
    - Chassis Shock Protector
  - Hard Disk Drive Protection
    - 3D Accelerometer
    - HDD Shock Absorber
  - Magnesium Alloy Casework
  - TOSHIBA PC Diagnostic Tool
- Secure
  - Multiple-Level Password Utilities
  - Trusted Platform Module (TPM v1.1)
  - TOSHIBA Secure Digital Token Utility
  - Execute Disable Bit
  - Optional Services and Accessories (additional purchase required)
    - HDLock™ for Toshiba Notebooks
    - CompuTrace®
- Connect
  - Diversity Antenna
  - TOSHIBA ConfigFree®
  - Voice-over-IP Ready Design
  - TOSHIBA Bluetooth® Stack (with Optional Bluetooth 2.0 +EDR)
- Optimize
  - Presentation Button

- TOSHIBA Zooming Utility
- LCD Rotation Utility
- One-touch Resolution Change
- TOSHIBA Power Saver Utility
- TOSHIBA Optical Disc Drive Power On/Off Utility
- Wireless On/Off Switch
- TOSHIBA Fn-esse® Shortcut Utility
- TOSHIBA Mouse Utility
- FN Shortcut Keys

## BIOS

- ACPI v1.0b, PNP v1.0a, VESA v2.0, DPMS, DDC, SM BIOS v2.34, PC BIOS v2.2 support

## Software<sup>16</sup>

- Toshiba Software and Utilities
  - TOSHIBA ConfigFree®
  - TOSHIBA Custom Utilities
  - Electronic User's Guide
- Third-party Software
  - Microsoft Works® Version
  - Microsoft Office® OneNote™ 2003
  - Sun® Java™ 2 Runtime Environment
  - Adobe® Acrobat® Reader
  - InterVideo® WinDVD® 5
  - Sonic Solutions® PrimeTime™
  - Sonic Solutions® RecordNow!™ Basic for Toshiba
  - Sonic Solutions® Drive Letter Access™ (DLA)
  - Microsoft® Windows Media Player
  - Zinio® Reader
- Trial Software
  - McAfee® VirusScan® (30-day trial)
  - Franklin Covey® TabletPlanner™ (30-day trial)
  - Alias® SketchBook™ Pro (30-day trial)
  - AOL® Internet Service (90-day trial)<sup>17</sup>

## Environmental Specifications

|                                    | Operating                     | Non-operating                    |
|------------------------------------|-------------------------------|----------------------------------|
| Temperature <sup>18</sup>          | 5° to 35° C<br>(41° to 95° F) | -20° to 65° C<br>(-4° to 149° F) |
| Thermal Gradient                   | 15° C per hour (max)          | 20° C per hour (max)             |
| Relative Humidity (non-condensing) | 20% to 80%                    | 10% to 95%                       |
| Altitude (relative to sea level)   | -60 to 3,000 meters           | -60 to 10,000 meters             |
| Shock                              | 10G                           | 60G                              |
| Vibration                          | 0.5G                          | 1.0G                             |

- This product is compatible with European Union Directive 2002/95/EC, Restriction of the use of certain Hazardous Substances in electrical and electronic equipment (RoHS)<sup>19</sup>, restricting use of lead, cadmium, mercury, hexavalent chromium, PBB, and PBDE.

## TECRA / PORTEGE – 1 YEAR STANDARD LIMITED WARRANTY<sup>20</sup>

### Service Upgrades and Extensions

Toshiba offers many different enhanced services such as SystemGuard®, At-Home Repair, and Service Express to provide additional support to your notebook PC. For a full description and complete list of programs and program terms and conditions, please visit [www.pcsupport.toshiba.com](http://www.pcsupport.toshiba.com).

## Recommended Services

### Extended Service Plans

Provides an extended service plan for up to 4 total years from the original notebook purchase date.

| Part Number | Description                    |
|-------------|--------------------------------|
| WSN-PEQQ2V  | 2nd Year Extended Service Plan |

WSN-PEQQ3V 2nd/3rd Year Extended Service Plan

WSN-PEQQ4V 2nd/3rd/4th Year Extended Service Plan

### **SystemGuard Accidental Damage Service w/ ServiceExpress<sup>21</sup>**

Provides advanced protection from damage caused from handling. Select your express repair service with either Depot Express or Carry-In Express and go to the front of the line. Extended Service Plan included except with 1 Year plan. SystemGuard coverage must be purchased within the first 30 days of notebook purchase.

| Part Number | Description                              |
|-------------|--|
| WSN-PSGQ1V  | 1st Year                                 |
| WSN-PEGQ2V  | 1st/2nd Year + Extended Service Plan     |
| WSN-PEGQ3V  | 1st/2nd/3rd Year + Extended Service Plan |

### **SystemGuard Accidental Damage Service + On-Site Repair<sup>22</sup>**

Combines SystemGuard and On-Site Repair coverage. Extended Service Plan included except with 1 Year plan. SystemGuard coverage must be purchased within the first 30 days of notebook purchase.

| Part Number | Description                              |
|-------------|--|
| WSN-PSGN1V  | 1st Year                                 |
| WSN-PEGN2V  | 1st/2nd Year + Extended Service Plan     |
| WSN-PEGN3V  | 1st/2nd/3rd Year + Extended Service Plan |

### **ServiceExpress**

Select your express repair service with either Depot Express or Carry-In Express. Depot Express: Your notebook will be repaired and returned via overnight shipment (excluding weekends and holidays). Carry-In Express: Take your notebook into a Premier ASP and go to the front of the line for expedited repair service. Extended Service Plan included except with 1 Year plan.

| Part Number | Description                              |
|-------------|--|
| WSN-PSQP1V  | 1st Year                                 |
| WSN-PEQP2V  | 1st/2nd Year + Extended Service Plan     |
| WSN-PEQP3V  | 1st/2nd/3rd Year + Extended Service Plan |

### **Business On-Site Repair**

On-site service will be provided at the customer's business location (excluding weekends and holidays) to perform the necessary hardware repairs. Extended Service Plan included except with 1 Year plan.

| Part Number | Description |
|-------------|-------------|
|-------------|-------------|

|            |  |
|------------|--|
| WSN-PSQN1V | 1st Year                                 |
| WSN-PEQN2V | 1st/2nd Year + Extended Service Plan     |
| WSN-PEQN3V | 1st/2nd/3rd Year + Extended Service Plan |

## Accessories

For memory compatibility and the most updated accessories, please visit [www.accessories.toshiba.com](http://www.accessories.toshiba.com)

### Memory

| Part Number  | Description                                  |
|--------------|--|
| PA3389U-1M25 | 256MB DDR2 533MHz PC4200 Memory Module, RoHS |
| PA3412U-1M51 | 512MB DDR2 533MHz PC4200 Memory Module, RoHS |
| PA3411U-1M1G | 1GB DDR2 533MHz PC4200 Memory Module, RoHS   |

### Power

| Part Number  | Description   |
|--------------|---|
| PA3283U-3ACA | Toshiba 75W Global AC Adapter                         |
| PA3191U-5BRS | Toshiba Primary Li Ion Battery Pack (4700mAh, 6-Cell) |
| PA3129U-2BRS | Toshiba Slim SelectBay 2nd 3600mAh Battery Pack       |

### Expansion

| Part Number  | Description  |
|--------------|--|
| PA3474U-1PRP | Toshiba Advanced Port Replicator III Plus w/90W AC Adapter |
| PA3315U-2PRP | Toshiba Tablet Multi Dock II                               |

### Security & Protection

| Part Number  | Description   |
|--------------|---|
| PA1370U-1ETC | Toshiba Keyboard Protector (Tecra/Satellite/Qosmio) |
| PA410U       | Noteworthy DEFCON CL Cable Lock                     |

### Storage

| Part Number  | Description                             |
|--------------|---|
| PA3109U-3FDD | Toshiba USB Floppy Disk Drive Kit, RoHS |

### Wireless/Bluetooth

| Part Number  | Description  |
|--------------|--|
| PA3455U-1BTM | Toshiba USB Adapter w/Bluetooth 2.0+EDR Capability |

## Subject to Change

While Toshiba has made every effort at the time of publication to ensure the accuracy of the information provided herein, product specifications, configurations, prices, system/component/options availability are all subject to change without notice. For the most up-to-date product information about your computer, or to stay current with the various computer software or hardware options, visit Toshiba's Web site at <http://www.pcsupport.toshiba.com>

## Return Policy

Notwithstanding anything to the contrary in any third party License Agreement or product documentation supplied with your PC, Toshiba America Information Systems, Inc. ("TAIS") does not accept the return of component parts, or bundled software, that have been removed from the PC system. Pro-rata refunds on individual PC components or bundled software, including the operating system, will not be granted. If you wish to return a complete PC system, contact the TAIS dealer where you purchased the product, and comply with the dealer's standard return policies and procedures.

Toshiba America Information Systems, Incorporated ("TAIS")  
 9740 Irvine Boulevard  
 Irvine CA 92618  
 ToshibaDirect website: <http://www.toshibadirect.com>  
 TAIS website for resellers: <http://sell.toshiba.com>  
 TAIS PC Support website: <http://pcsupport.toshiba.com>

Portégé, Satellite, Tecra, SelectBay, ConfigFree and SystemGuard are registered trademarks and Qosmio and EasyGuard are trademarks of Toshiba America Information Systems, Inc. and/or Toshiba Corporation. Intel, Celeron, Centrino, Intel Inside, Pentium, the Intel Centrino logo, and the Intel Inside logo are trademarks or registered trademarks of Intel Corporation or its subsidiaries in the United States and other countries. Microsoft and Windows are registered trademarks and OneNote registered is a trademark of Microsoft Corporation in the United States and/or other countries. Winstone® is a registered trademark and BatteryMark™ is a trademark of Ziff Davis Publishing Holdings Inc. in the U.S. and other countries. MobileMark™ is a trademark of the Business Applications Performance Corporation. Wi-Fi is a registered certification mark of the Wi-Fi Alliance. The Bluetooth word mark and logos are owned

by the Bluetooth SIG, Inc. and any use of such marks by Toshiba is under license. NVIDIA and GeForce are registered trademarks or trademarks of NVIDIA Corporation in the United States and/or other countries. All other trademarks are the property of their respective owners.

<sup>1</sup> **Product Series Legal Footnote.** The product specifications and configuration information are designed for a product Series. Your particular model may not have all the features and specifications listed or illustrated. For more detailed information about the features and specifications on your particular model, please visit Toshiba's Web site at [pcsupport.toshiba.com](http://pcsupport.toshiba.com).

**Product Offering Legal Footnote.** Toshiba America Information Systems, Inc. reserves the right to modify or withdraw this offer at anytime without notice.

<sup>2</sup> **Operating System.** Certain Microsoft® software product(s) included with this computer may use technological measures for copy protection. IN SUCH EVENT, YOU WILL NOT BE ABLE TO USE THE PRODUCT IF YOU DO NOT FULLY COMPLY WITH THE PRODUCT ACTIVATION PROCEDURES. Product activation procedures and Microsoft's privacy policy will be detailed during initial launch of the product, or upon certain reinstallations of the software product(s) or reconfigurations of the computer, and may be completed by Internet or telephone (toll charges may apply).

Some software may differ from its retail version (if available), and may not include user manuals or all program functionality.

**Offers.** Offer terms, duration and product availability all subject to change without notice

<sup>3</sup> **Processor (Central Processing Unit).**

CPU performance in your computer product may vary from specifications under the following conditions:

1. use of certain external peripheral products
2. use of battery power instead of AC power
3. use of certain multimedia, computer generated graphics or video applications
4. use of standard telephone lines or low speed network connections
5. use of complex modeling software, such as high end computer aided design applications
6. use of several applications or functionalities simultaneously
7. use of computer in areas with low air pressure (high altitude >1,000 meters or >3,280 feet above sea level)
8. use of computer at temperatures outside the range of 5°C to 30°C (41°F to 86° F) or >25°C (77°F) at high altitude (all temperature references are approximate and may vary depending on the specific computer model – please visit the Toshiba website at [www.pcsupport.toshiba.com](http://www.pcsupport.toshiba.com) for details).

CPU performance may also vary from specifications due to design configuration.

Under some conditions, your computer product may automatically shut-down. This is a normal protective feature designed to reduce the risk of lost data or damage to the product when used outside recommended conditions. To avoid risk of lost data, always make back-up copies of data by periodically storing it on an external storage medium. Use your computer product only under recommended conditions. Read additional restrictions under "Environmental Conditions" in your product "Detailed Specs." Contact Toshiba Technical Service and Support for more information.

<sup>4</sup> **Memory (Main System).** Part of the main system memory may be used by the graphics system for graphics performance and therefore reduce the amount of main system memory available for other computing activities. The amount of main system memory allocated to support graphics may vary depending on the graphics system, applications utilized, system memory size and other factors. For PC's configured with 4 GB of system memory, the full system memory space for computing activities will be considerably less and will vary by model and system configuration.

<sup>5</sup> **Hard Disk Drive (HDD) Capacity.**

1 Gigabyte (GB) means  $10^9 = 1,000,000,000$  bytes using powers of 10. The computer operating system, however, reports storage capacity using powers of 2 for the definition of  $1 \text{ GB} = 2^{30} = 1,073,741,824$  bytes, and therefore shows less storage capacity. Available storage capacity will also be less if the product includes one or more pre-installed operating systems, such as Microsoft Operating System and/or pre-installed software applications, or media content. Actual formatted capacity may vary.

<sup>6</sup> **Optical Drive.** Due to manufacturing and quality variations in third party optical media (e.g., CD or DVD) or optical media players/recorders, in certain cases, your Toshiba optical drive may not record on certain optical media that bear the applicable logo, or playback optical media recorded by other PCs or optical media recorders. Additionally, certain optical media recorded on your optical drive may not playback or operate properly on other PCs or optical media players. These problems are not due to any defect in your Toshiba PC or optical drive. Please refer to your PC's product specification for listing of specific format compatibilities.

Copy protection technology may also prevent or limit recording or viewing of certain optical media.

<sup>7</sup> **Display.** Small bright dots may appear on your screen display when you turn on your PC. Your display contains an extremely large number of thin-film transistors (TFT) and is manufactured using high-precision technology. Any small bright dots that may appear on your display are an intrinsic characteristic of the TFT manufacturing technology. Over a period of time, and depending on the usage of the computer, the brightness of the screen will deteriorate. This is also an intrinsic characteristic of the screen technology.

When the computer is operated on battery power, the screen will dim and you may not be able to increase the brightness of the screen while on battery power.

<sup>8</sup> **Graphics (Graphics Processing Unit).**

GPU performance may vary depending on product model, design configuration, applications, power management settings and features utilized. GPU performance is only optimized when operating in AC power mode and may decrease considerably when operating in battery power mode.

NVIDIA GeForce™ Go 6200TE/6600TE GPU. The graphics processor is optimized for your specific computer model and GPU performance will be slower than the standard GeForce™ Go 6200TE/6600TE or applicable successor model. GPU performance is only optimized at ambient temperatures between 5°C and 30°C.

<sup>9</sup> **Modem Speed.** Due to FCC limitations, speeds of 53 kbps are the maximum permissible transmission rates during download. Actual data transmission speeds will vary depending on line conditions.

<sup>10</sup> **Wireless.** Wireless connectivity and some features may require you to purchase additional software, external hardware or services. Availability of public wireless LAN access points may be limited. The transmission speed over the wireless LAN and the distance over which wireless LAN can reach may vary depending on surrounding electromagnetic environment, obstacles, access point design and configuration, and client design and software/hardware configurations. The actual transmission speed will be lower than the theoretical maximum speed. To use the Atheros SuperAG™ or SuperG™ wireless function, if available, your client and access point must support the corresponding feature. Performance of these functions may vary depending on the format of data transmitted.

<sup>11</sup> **Weight.** Weight may vary depending on product configuration, vendor components, manufacturing variability and options selected.

<sup>12</sup> **Battery Life.** Battery life may vary considerably from specifications depending on product model, configuration, applications, power management settings and features utilized, as well as the natural performance variations produced by the design of individual components. Published battery life numbers are achieved on select models and configurations tested by Toshiba at the time of publication. See "Detailed Specs" for specific battery measurement test. Recharge time varies depending on usage. Battery may not charge while computer is consuming full power. After a period of time, the battery will lose its ability to perform at maximum capacity and will need to be replaced. This is normal for all batteries. To purchase a new battery pack, see the accessories information that shipped with your computer or visit the Toshiba web site at [www.accessories.toshiba.com](http://www.accessories.toshiba.com).

<sup>13</sup> **Battery Life - MobileMark™.** Measured by MobileMark. MobileMark is a trademark of the Business Applications Performance Corporation.

<sup>14</sup> **EasyGuard.** Toshiba EasyGuard™ technology comprises a number of features some of which may or may not be available on a particular Toshiba notebook depending on the model selected. See [www.easyguard.toshiba.com](http://www.easyguard.toshiba.com) for detailed information.

<sup>15</sup> **Shock Protection.** Toshiba's shock absorption technology provides higher impact protection for your system as compared to Toshiba systems without similar shock protection features based on Toshiba's drop tests. Toshiba's standard limited warranty terms and limitations apply. Visit [www.warranty.toshiba.com](http://www.warranty.toshiba.com) for details.

<sup>16</sup> **Software.** Some software may differ from its retail version (if available), and may not include user manuals or all program functionality.

Certain Microsoft® software product(s) included with this computer may use technological measures for copy protection. IN SUCH EVENT, YOU WILL NOT BE ABLE TO USE THE PRODUCT IF YOU DO NOT FULLY COMPLY WITH THE PRODUCT ACTIVATION PROCEDURES. Product activation procedures and Microsoft's privacy policy will be detailed during initial launch of the product, or upon certain reinstallations of the software product(s) or reconfigurations of the computer, and may be completed by Internet or telephone (toll charges may apply).

<sup>17</sup> **AOL® Internet Service.** Availability may be limited, especially during peak times. TO AVOID BEING CHARGED A MONTHLY MEMBERSHIP FEE, SIMPLY CANCEL BEFORE THE THREE-MONTH PROMOTIONAL PERIOD ENDS. Premium services carry surcharges and communication surcharges may apply, including AK, even during promotional period. Members may incur telephone charges on their phone bill, depending on their location and calling plan, even during promotional period. Available to new AOL members in the United States, age 18 or older; a major credit card or checking account is required.

<sup>18</sup> **Temperature (Environmental) Conditions.** All temperature references are approximate and the performance of your computer may vary from specifications even when operating within the recommended temperature range.

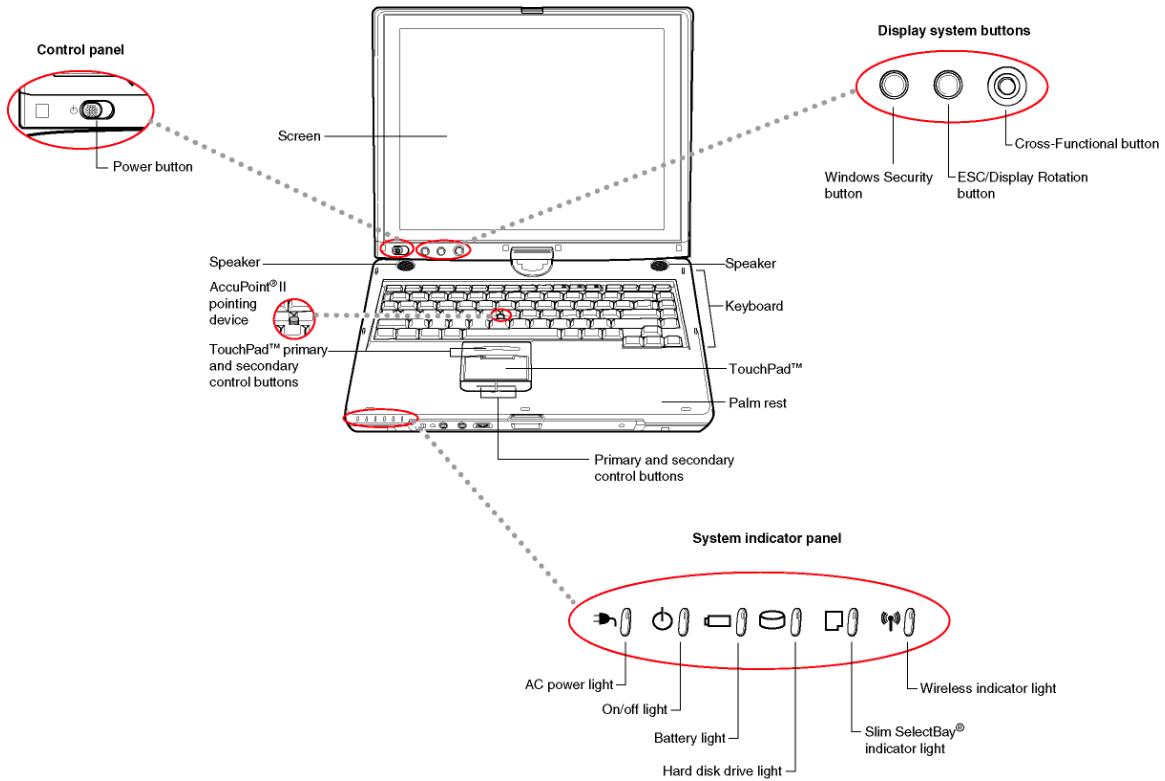
<sup>19</sup> **RoHS.** This product is compatible with European Union Directive 2002/95/EC, Restriction of the use of certain Hazardous Substances in electrical and electronic equipment (RoHS), which restricts use of lead, cadmium, mercury, hexavalent chromium, PBB, and PBDE.

<sup>20</sup> **Warranty:** Toshiba's standard limited warranty terms and conditions are available at [www.warranty.toshiba.com](http://www.warranty.toshiba.com).

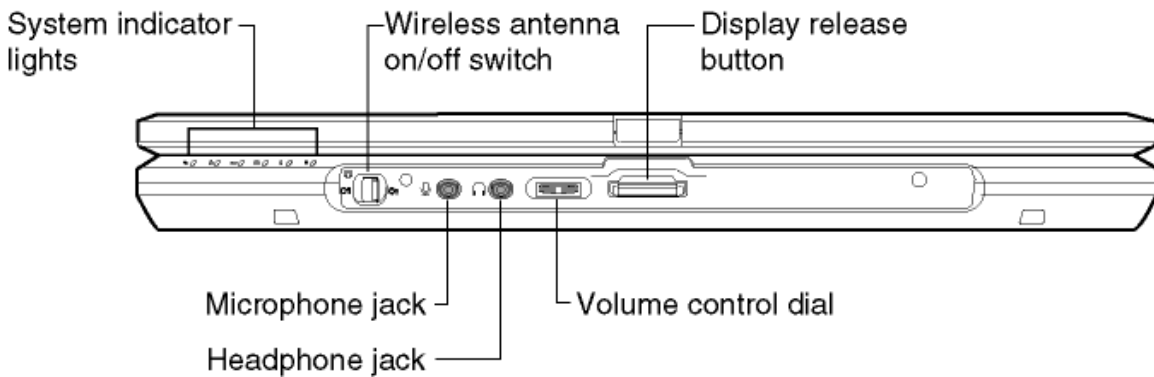
<sup>21</sup> **SystemGuard:** SystemGuard service must be purchased within the first 30 days of notebook purchase. See Toshiba Service Plan Agreement for program terms and conditions at [www.pcsupport.toshiba.com](http://www.pcsupport.toshiba.com).

<sup>22</sup> **SystemGuard:** SystemGuard service must be purchased within the first 30 days of notebook purchase. See Toshiba Service Plan Agreement for program terms and conditions at [www.pcsupport.toshiba.com](http://www.pcsupport.toshiba.com).

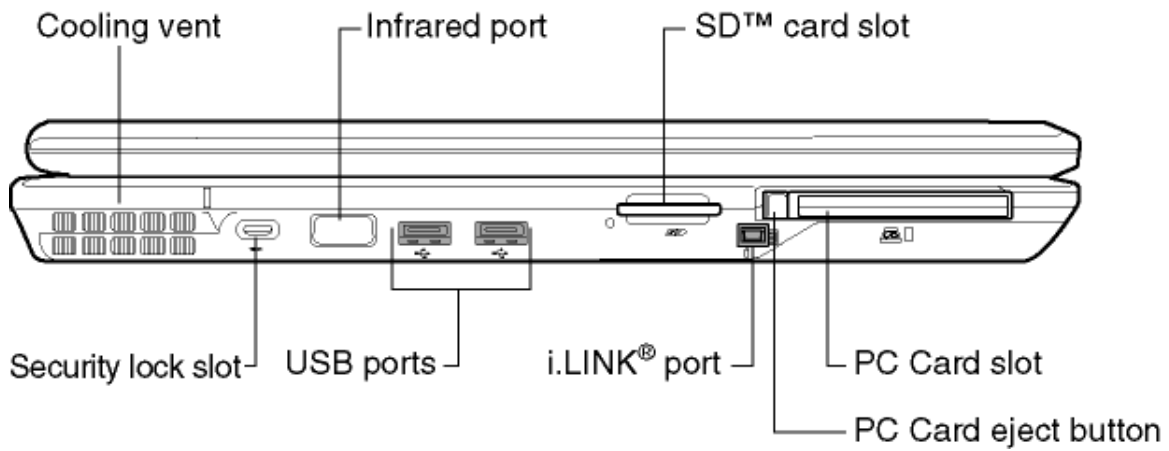
# Front with display open



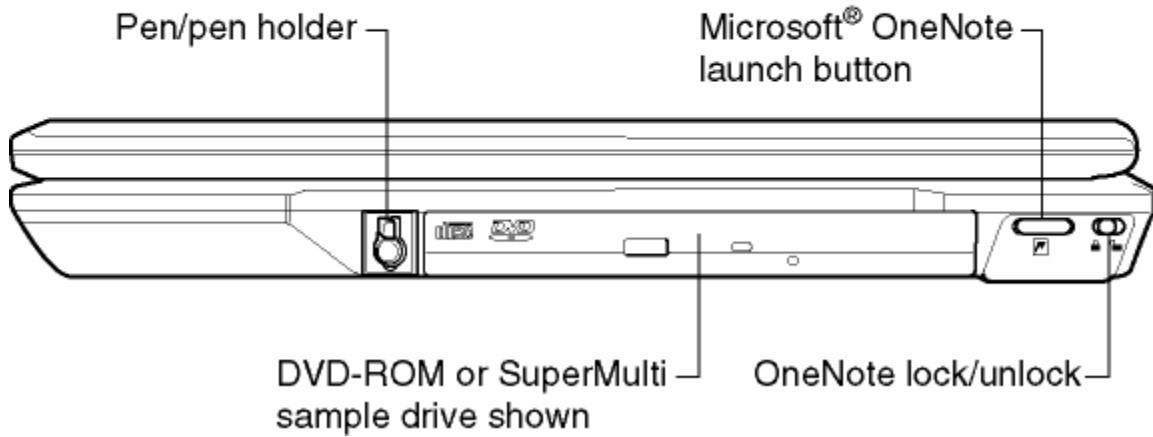
# Front with display closed



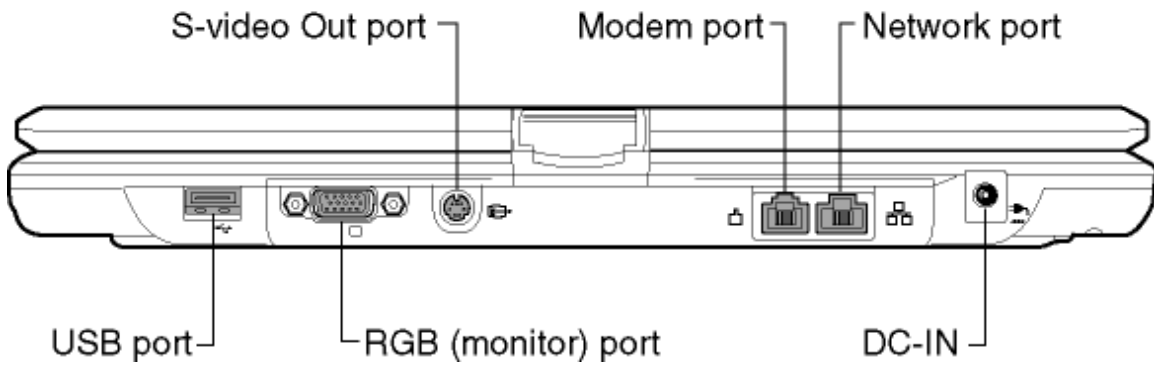
# Left side



# Right side



# Back



# Underside

