

TOSHIBA

Product Name: Tecra S1

Featured Model(s)*:

1.4GHz, 15"XGA, 256MB, 30GB, DVD, Intel 802.11b, 9 cell, Windows XP Professional

* Other configurations available

Part Number

PT831U-102T97

Custom Configuration options
and optional items listed below are highlighted

Product Highlights

- **Stability:** Toshiba's award-winning Tecra® family offers corporate customers a stable platform, consistent image and long product lifecycles (12+ months) to reduce total cost of ownership.
- **Scalable:** Designed for those who demand leading-edge technology with the added benefit of a mobile platform, Tecra S1 users will experience the flexibility of being mobile and still enjoy the features found in a desktop computer. In addition, the Tecra S1 offers customers a 15.0" (XGA/UXGA) color display for comfortable viewing, plus eliminating the need for an external monitor.
- **Bringing Mobility to Your Desktop:** Incorporating the Intel® Centrino™ mobile technology, Tecra S1 users experience a breakthrough level of mobile performance, extended battery life (up to 5+ hours) and enhanced wireless connectivity for improved productivity whether at your desk, in a meeting or other remote office location.
- **Maximum Connectivity!:** The Tecra S1 includes integrated Wi-Fi (IEEE 802.11b or a/b dual band support) wireless communication, so users can get connected while on the road without the hassle of cords or cables and enjoy faster data rates. Bluetooth wireless technology, fast infrared, built-in V.92 modem, 10/100 Ethernet and PC Card support for 3G connectivity round out the notebook's unlimited connectivity options.
- **Common Accessories and Docking:** Adding convenience while saving time and money, the Tecra S1 shares common docking capabilities and Slim Select Bay® accessories with Toshiba's award winning Portégé® 4000 Series, Satellite Pro® 6000 Series, Satellite Pro M10, Tecra 9000 Series and Tecra M1 notebooks.

System Characteristics

Processor

- Intel® Pentium® M processor at 1.70, 1.60 or 1.40 GHz,
- Intel 855PM system chipset
- 400MHz processor side bus clock speed
- 1MB Level 2 Cache integrated on die

Memory

- 256-2048MB SODIMM memory
- 256MB, 512MB, 1024MB PC2100 DDR SDRAM, 2.5V

Mass Storage

- 60, 40, 30GB* Enhanced IDE (ATA-5) hard disk drive; 9.5mm height; 30GB: 4200 rpm/60 & 40GB: 5400rpm; user removable
- Slim SelectBay CD-ROM, 5.25" EIDE, 12.7mm height, 24x CD-ROM speed. Compatibility: CD-ROM, CD-R (read only), CD-RW (read only).
- Slim SelectBay DVD-ROM, 5.25" EIDE, 12.7mm height. Compatibility: CD-ROM/CD-R/CD-RW (24x), DVD-ROM (8x), DVD-R (4x), DVD-RAM (2x) (all read only).
- Slim SelectBay DVD-ROM/CD-RW, 5.25" EIDE, 12.7mm height. Compatibility: CD-ROM/R/CD-RW (24x), DVD-ROM (8x), DVD-R (4x read only), DVD-RW (read only), DVD-RAM (4x read only) .
- Slim SelectBay DVD Multi Drive, 5.25" EIDE, 12.7mm height. Compatibility: CD-ROM/CD-R/CD-RW (24x read/write), DVD-ROM/DVD-RW (8x read/write), DVD-RAM (4x read/write).
- Slim SelectBay Battery, Lithium Ion (10.8V, 3600mAh)
- Slim SelectBay Hard Disk Drive: 30, 40 and 60GB (Adapter required)
- USB Floppy Drive, 3.5", 1.44MB

Display

- 14.1" (XGA) or 15.0" (XGA or UXGA) TFT active-matrix LCD; internal display supports up to 16M colors

Graphics

- ATI Mobility Radeon 9000 graphics controller; 32MB DDR video

Toshiba America Information Systems Inc. ("TAIS") shall not be liable for damages of any kind for use of this information, which is subject to change without notice. Copyright 2003 TAIS tecra_S1.doc Created on 7/18/2003 9:56 AM

memory

- External Color Support: (Non-Interlaced @ 16M)
1280 x 1024, 1024 x 768, 800 x 600; 100Hz
1600 x 1200; 85Hz
2048 x 1536, 1920 x 1440; 60Hz

Input Devices

- Keyboard: Full sized 85 keys with 12 function keys, 2.7mm key stroke, 6mm height; Dedicated Windows® & Application keys support; HotKey function
- Mouse: Toshiba Dual Pointing Device with 2 Accupoint & 2 TouchPad buttons

Expandability

- 2 Expansion memory slots (including Main Memory)
- 2 PC Card slots support 2 Type II or 1 Type III PC Cards, PCMCIA R2.01, PC Card16, CardBus
- SD slot

Communications

- Integrated V.92 modem

Due to FCC limitations, speeds of 53kbps are the maximum permissible transmission rates during download. Actual data transmission speeds will vary depending on line conditions.

- Integrated 10/100Base-TX Ethernet
- Integrated Fast Infrared (4Mbps)
- Integrated Wi-Fi compliant wireless LAN – 802.11b: Intel or Cisco, 802.11a/b: Atheros
- Optional integrated Bluetooth (v1.1)

Ports

- Parallel port
- Serial Port
- RGB (monitor) port
- 3 Universal Serial Bus (USB) port (v2.0)
- Infrared port
- TV-Out (NTCS/PAL output)
- PS/2 port (keyboard, mouse)
- 240 pin Advanced Port Replicator connector
- Microphone jack
- Headphone jack
- RJ-45 LAN port
- RJ-11 modem port

Physical Description

- Dimensions (WxDxH): 12.7" x 11.2" x 1.3/1.34" Weight: 6.17lbs (with 14" and 6-cell)
- LED Indicators: DC-In, Power, Primary Battery, Hard Drive, Slim SelectBay, Wireless indicator, SD indicator, Caps Lock, Arrow Lock, Numeric Lock

Sound

- ADI AD1886 software sound
- 16-bit stereo; Built-in stereo speakers, Built-in microphone
- Direct 3D Sound; DirectSound and DirectMusic; Full Duplex and MIDI support
- Sound Volume Control Dial

Power Supply

- 75W (15V x 5A) Auto sensing external AC Adapter, 100-240V / 50-60Hz frequency (Universal) input.
- 6-cell (4300mAh) or 9-cell (6450mAh), rechargeable, removable Lithium Ion (Li-Ion) battery pack
- Up to 5.1 hours battery life (Normal mode with 9-cell battery)**
- Up to 3.3 hours battery life (Normal Mode with 6-cell battery)**
- Up to 7.8 hours battery life (Normal Mode with 9-cell battery and Slim SelectBay battery)**

Battery life may vary depending on product model, configuration, applications, power management settings and features utilized. Recharge time varies depending on usage. Battery may not charge while computer is consuming full power. After a period of time, the battery will lose its ability to perform at maximum capacity and will need to be replaced. This is normal for all batteries. To purchase a new battery pack, see information on accessories shipping with your computer, visit the Toshiba web site at

Rev. 1.7 Page 1 of 3

Security

- Slot for cable lock; HDD, Slim SelectBay and memory (by screw only); User Power-on password, HDD Password, Supervisor Password, Keyboard Lock (by HotKey), Screen Blank (by Hotkey), Screen Saver (by software).

BIOS

- ACPI v1.0b, PnP, VESA v2.0, DPMS, DDC2B, SM BIOS v2.3, PC BIOS v2.1 support

Operating System

- Microsoft Windows XP Professional
- Microsoft Windows 2000 Professional

Additional Software

- ConfigFree
- Adobe Acrobat Reader
- Windows Media Player
- Toshiba Custom Utilities
- Electronic User's Guide

Limited Warranty

- 3 year parts, labor and 1 year battery

Environmental Specifications

- **Temperature:** Operating: 5° to 35°C (41° to 95°F); Non-operating: -20° to 65°C (-4° to 149°F)
- **Thermal gradient:** Operating: 15°C per hour maximum; Non-operating: 20°C per hour maximum
- **Relative Humidity:** Operating: 20% to 80%; Non-operating: 10% to 95%
- **Altitude (relative to sea level):** Operating: -60 to 3000 meters; Non-operating: -60 to 10,000 meters
- **Shock:** Operating: 10G; Non-operating: 60G
- **Vibration:** Operating: 0.5G; Non-operating: 1.0G

Accessories

KINGSTON Memory

KTT3614/128	128MB PC2100 DDR SDRAM Memory
KTT3614/256	256MB PC2100 DDR SDRAM Memory
KTT3614/512	512MB PC2100 DDR SDRAM Memory
KTT3614/1G	1GB PC2100 DDR SDRAM Memory

Cases

NWCTM1	Targus Metropolitan Carrying Case (koskin)
NWCSS1	Targus Suburban Carrying Case (nylon)
PA1318U-1NCS	Kenneth Cole 'Sweet Roll' Leather Roller Case

Other Accessories

PA3082U-2PRP	Advanced Port Replicator II w/ 75W AC Adapter
PA3283U-1ACA	75W Universal AC Adapter
PA3257U-1BRS	Primary Battery (9 cell)
PA3248U-1BRS	Primary Battery (6 cell)
PA3109U-1FDD	USB Floppy Disk Drive
PA3133U-1H40	40GB Hard Disk Drive
PA3204U-1H60	60GB Hard Disk Drive
PA3249U-1BRS	Slim SelectBay Battery
PA3134U-1ETC	Slim SelectBay Hard Drive Adapter
PA3137U-3CD2	Slim SelectBay DVD-ROM/CD-RW
PA3231U-1DV1	Slim SelectBay DVD Multi

Wi-Fi (Agere)

7000011030	AP-2000 (802.11a/b) Access Point
------------	----------------------------------

SelectServ Limited Warranty Extensions

SWP-PQGQ3V	3 Year SystemGuard
SWP-PQQX3V	3 Year Depot Express
SWP-PQGX3V	3 Year SystemGuard & Depot Express
SWP-PQQN3V	3 Year Business On-Site Repair, Next Business Day Response

* GB = 1 Billion Bytes

****Central Processing Unit ("CPU") Performance Disclaimer:**

CPU performance in your computer product may vary from specifications under the following conditions:

- use of certain external peripheral products
- use of battery power instead of AC power
- use of certain multimedia games or videos with special effects
- use of standard telephone lines or low speed network connections
- use of complex modeling software, such as high end computer aided design applications
- use of computer in areas with low air pressure (high altitude >1,000 meters or >3,280 feet above sea level)
- use of computer at temperatures outside the range of 5°C to 35°C (41°F to 95° F) or >25°C (77°F) at high altitude (all temperature references are approximate).

CPU performance may also vary from specifications due to design configurations.

Under some conditions, your computer product may automatically shut-down. This is a normal protective feature designed to reduce the risk of lost data or damage to the product when used outside recommended conditions. To avoid risk of lost data, always make back-up copies of data by periodically storing it on an external storage medium. For optimum performance, use your computer product only under recommended conditions. Read additional restrictions under "Environmental Conditions" in your product Resource Guide. Contact Toshiba Technical Service and Support for more information.

Return Policy

TAIS does not accept the return of component parts, or bundled software, which have been removed from the PC system. Pro-rata refunds on individual PC components or bundled software, including the operating system, will not be granted. If you wish to return a complete PC system, contact the TAIS dealer where you purchased the product, and comply with the dealer's standard return policies and procedures.

**** Business Winstone® 2002 BatteryMark™ Version 1.0**

These models achieved the battery life times shown using Ziff Davis Media Inc.'s Business Winstone® 2002 BatteryMark™ Version 1.0. These tests were performed without independent verification by the VeriTest testing division of Lionbridge Technologies, Inc. ("VeriTest"). Neither Ziff Davis Media Inc. nor VeriTest makes any representations or warranties as to the results of the tests. Winstone® is a registered trademark and BatteryMark™ is a trademark of Ziff Davis Publishing Holdings Inc. in the U.S. and other countries. Copyright 2002 Ziff Davis Media Inc. All Rights Reserved. All products used in the tests were shipping versions available to the general public. The battery life results were achieved running the Business Winstone® 2002 BatteryMark™ Version 1.0 on the following system parameters. System parameters were set according to Ziff Davis Media Inc.'s recommendations.

Battery Life	Catalog Spec (1st)	3.4h(6cell) / 5.3h(9cell)
	(1st+2nd)	5.9h(6cell+2nd) / 7.8h(9cell+2nd)
	Number of Conditioning Phase	1
	Life Test Run	2

A	CPU Name	Intel® Pentium®M Processor	
	Processor info	speed	1.6GHz
		number of processors	1
	amount of RAM	256MB	
	Amount of secondary RAM cache	2MB	

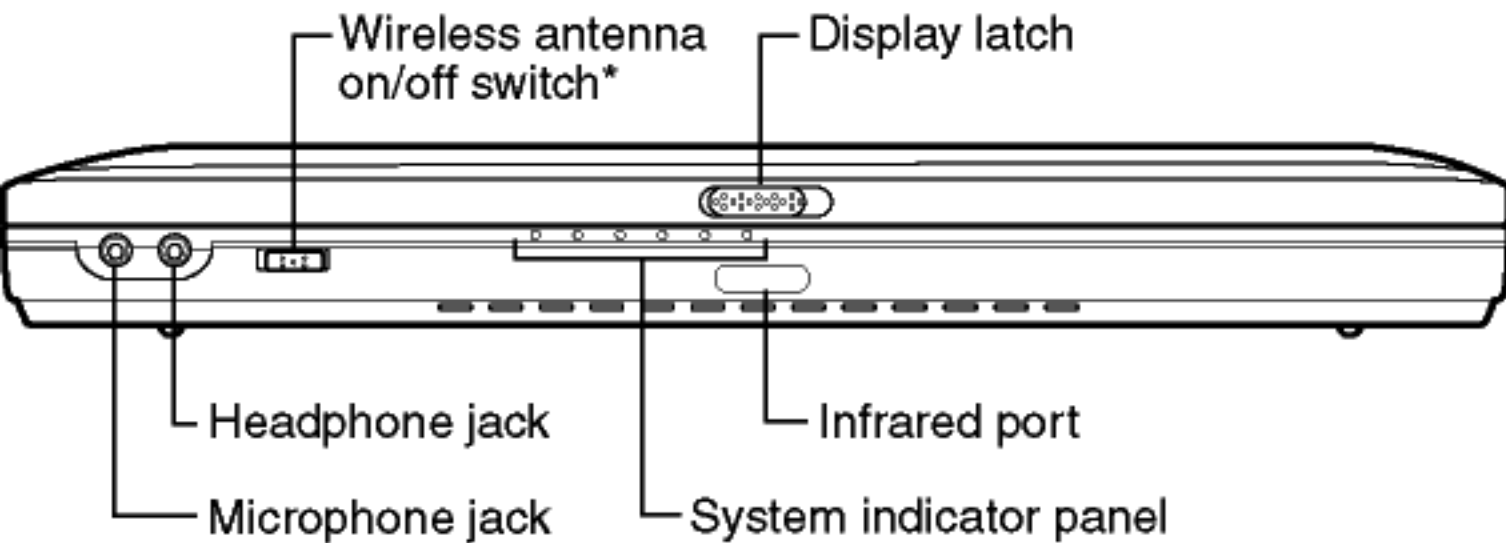
B	Battery	type(1st)	Li-Ion
			10.8Vx4300mAh (6cell) , 10.8Vx6450mAh(9cell)
		model number(1st)	PA3248U-1BAS/BRS , PA3257U-1BAS/1BRS
		type(2nd)	Li-Ion
			10.8Vx3600mAh
		model number(2nd)	PA3129U-2BAS/2BRS
	number of batteries	1st=1 , 2nd=1	

C	Graphics	ATI MOBILITY RADEON 9000	
	amount and type of RAM	32MB	
		DDR	
	graphics driver name and version	ATI Display Driver for M9-P V6.13.10.6262	
graphics resolution and color depth, refresh rate	1600x1200/16bit/60Hz		

D	hard disk capacity	60GB	
	hard disk file system & transfer mode	Enhanced IDE(ATA-5)	
	hard disk controller model	Intel® 82801DBM Ultra ATA Storage Controller - 24CA	
	size of hardware cache if any	16MB	

E	operating system version, service pack	Windows XP Professional Version2002 Service Pack 1	
	other special conditions	N/A	

Front with display closed



*Functional only on systems with wireless module installed.

Left side

Speaker

Video-out
port

PC Card slots

Volume control dial

SD[®] card slot

Cooling vents

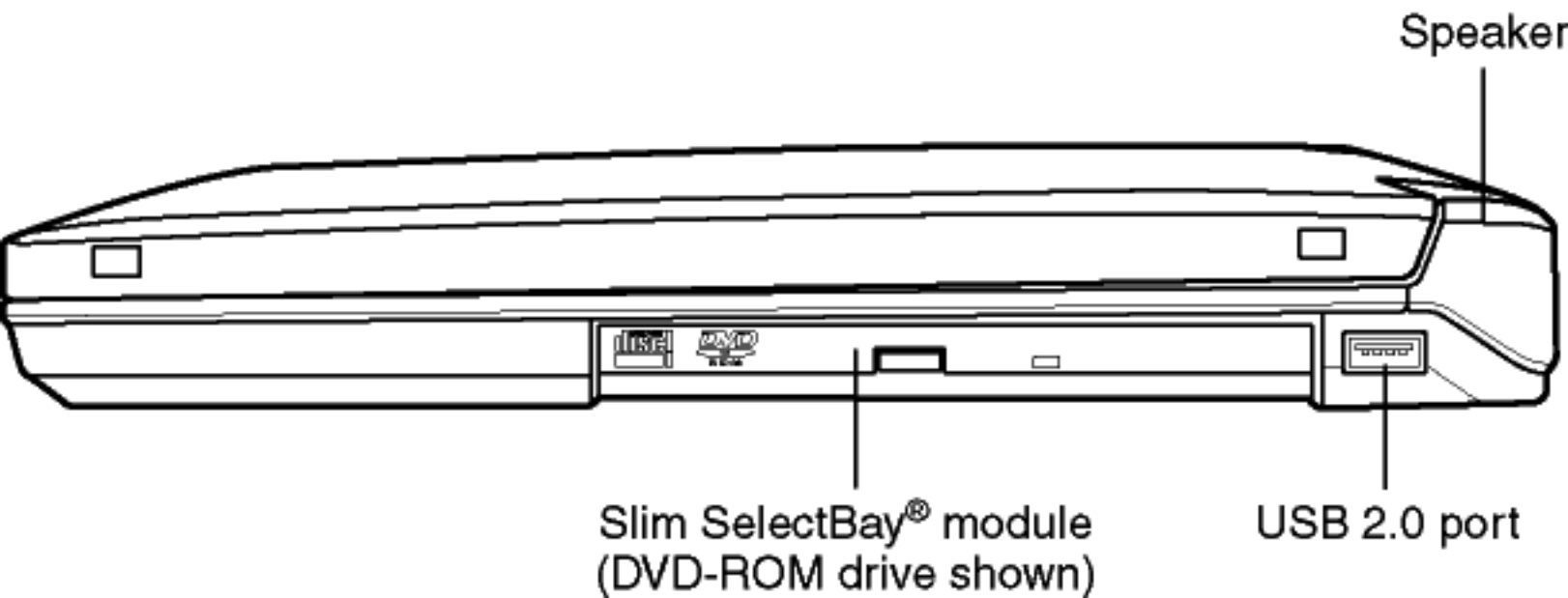
Security lock
slot

PC Card
eject buttons

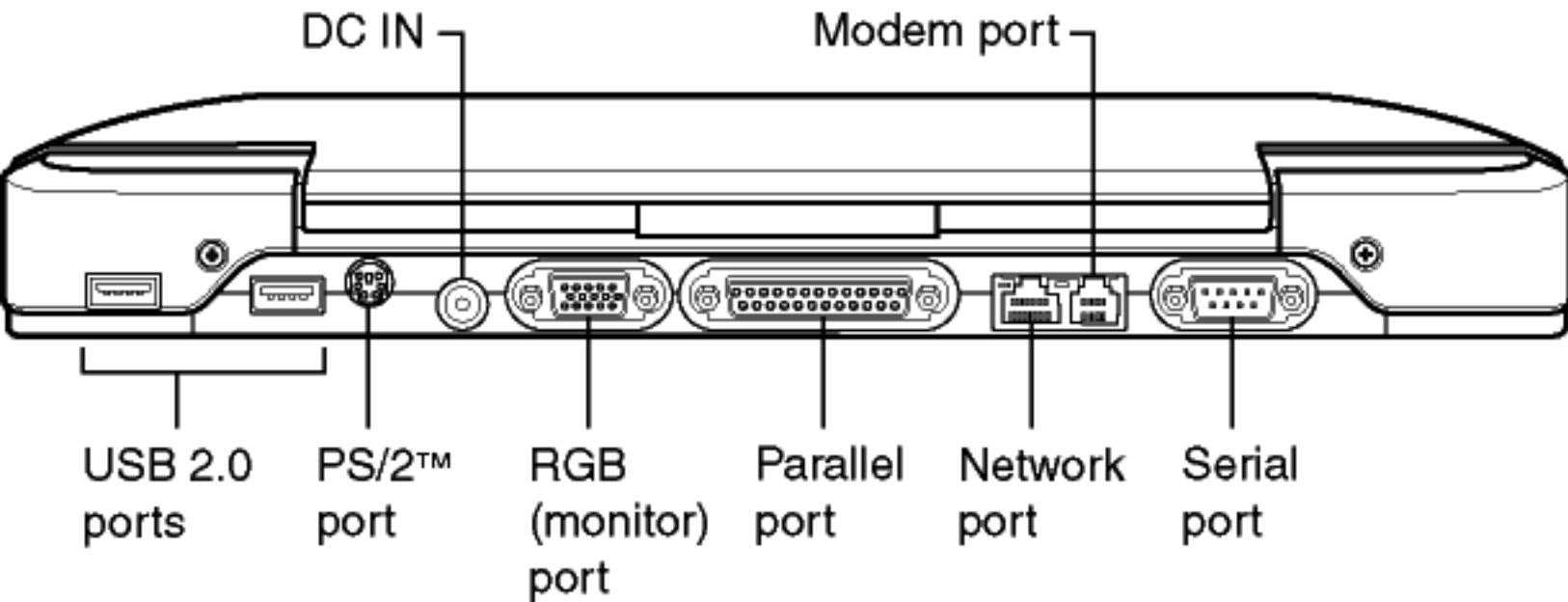
SD
indicator



Right side



Back



Underside

